

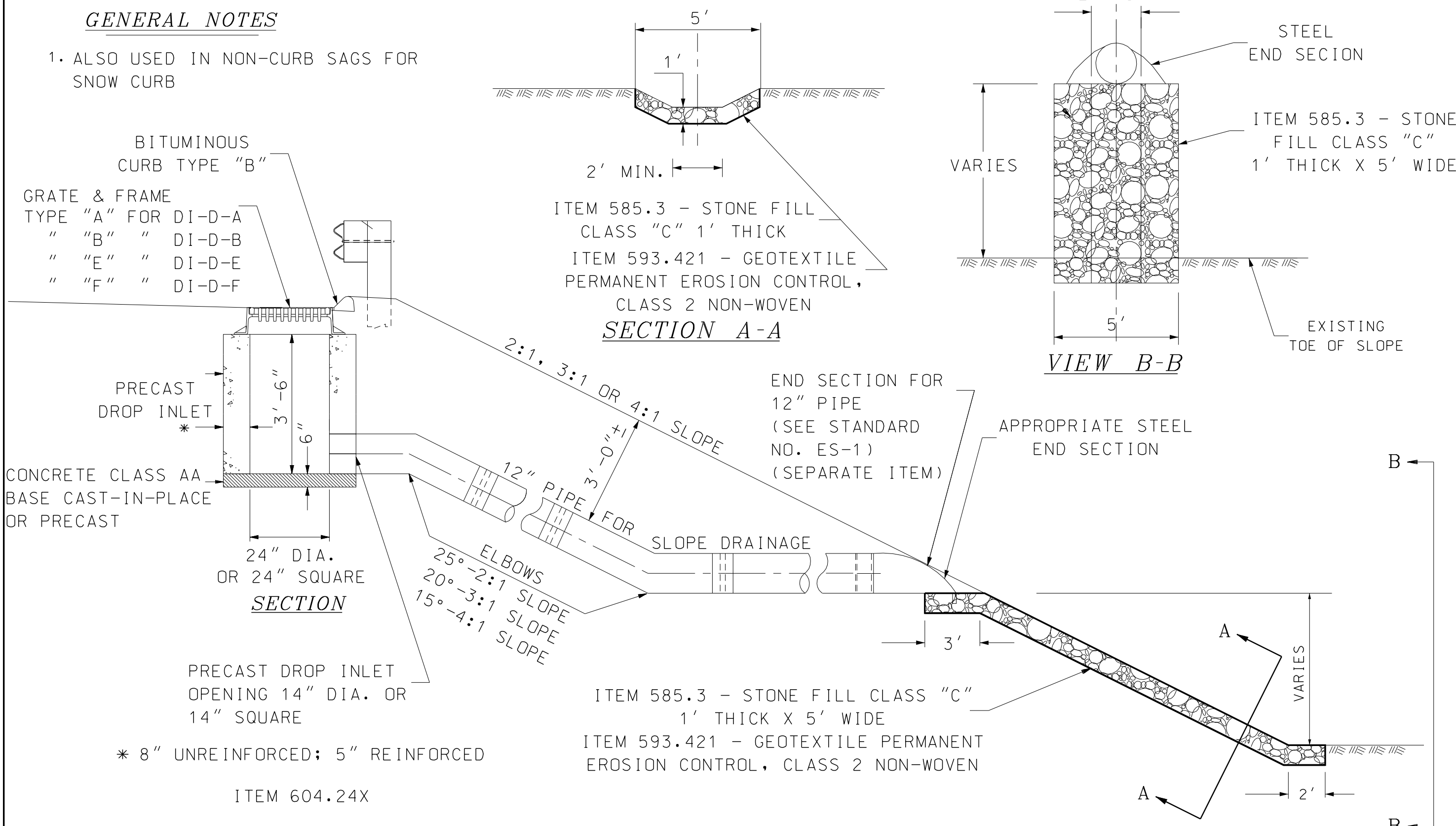
TYPICAL DETAIL

TYPICAL LOCATION

NHDOT STANDARD PLANS

UNDERDRAIN FLUSHING BASIN

REV. DATE	PLATE
06-16-2010	1
	STANDARD
	DR-4



DROP INLET TYPE D & PIPE FOR SLOPE DRAINAGE

NHDOT STANDARD PLANS

REV. DATE	PLATE
06-16-2010	2
11-05-2010	STANDARD
08-14-2015	DR-4

STANDARD NO. DR-4

REVISION DATE
07-13-2001
06-16-2010
08-14-2015

DGN FILE NAME DR-4

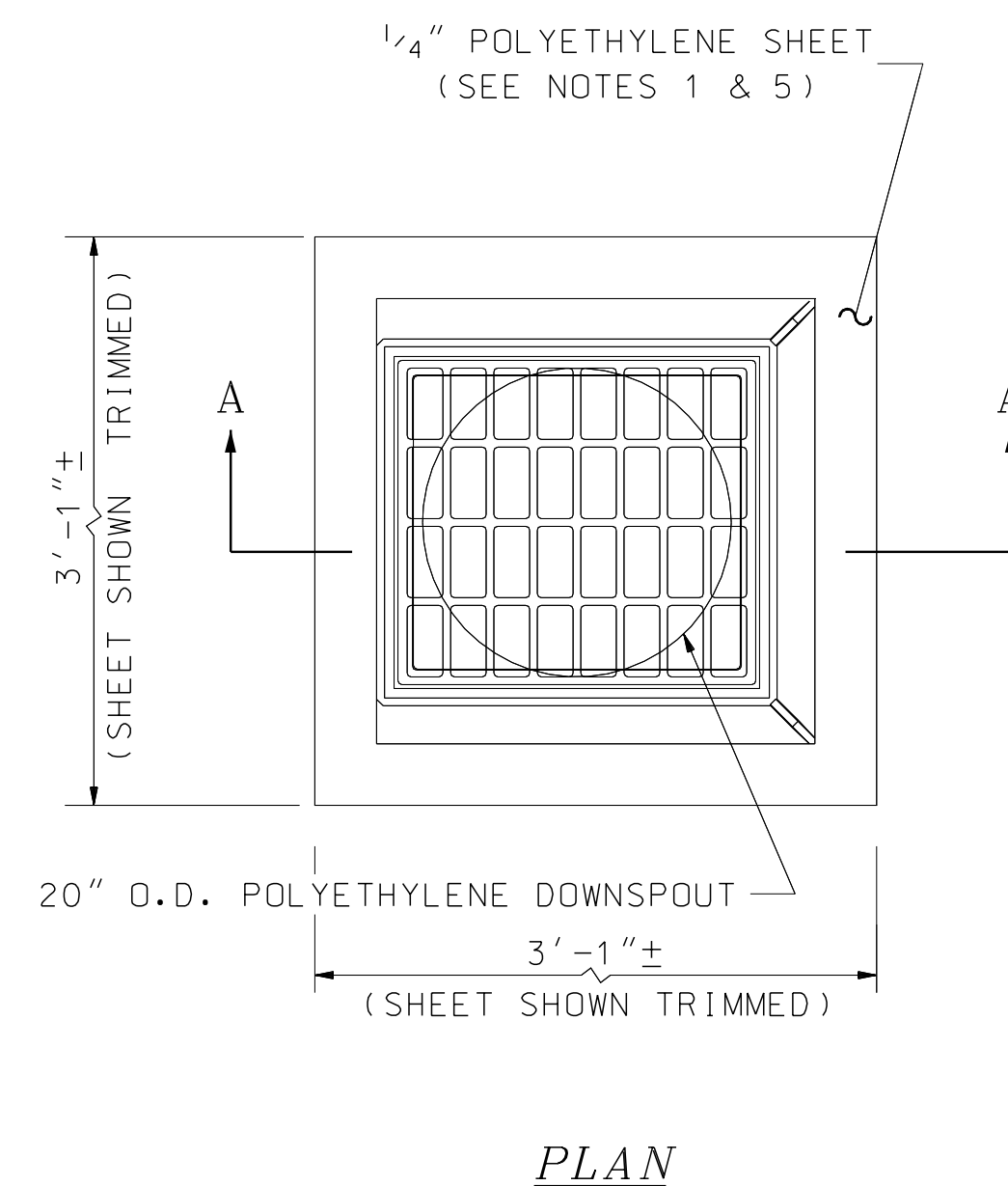
STANDARD PLANS



STANDARD NO. DR-4

GENERAL NOTES

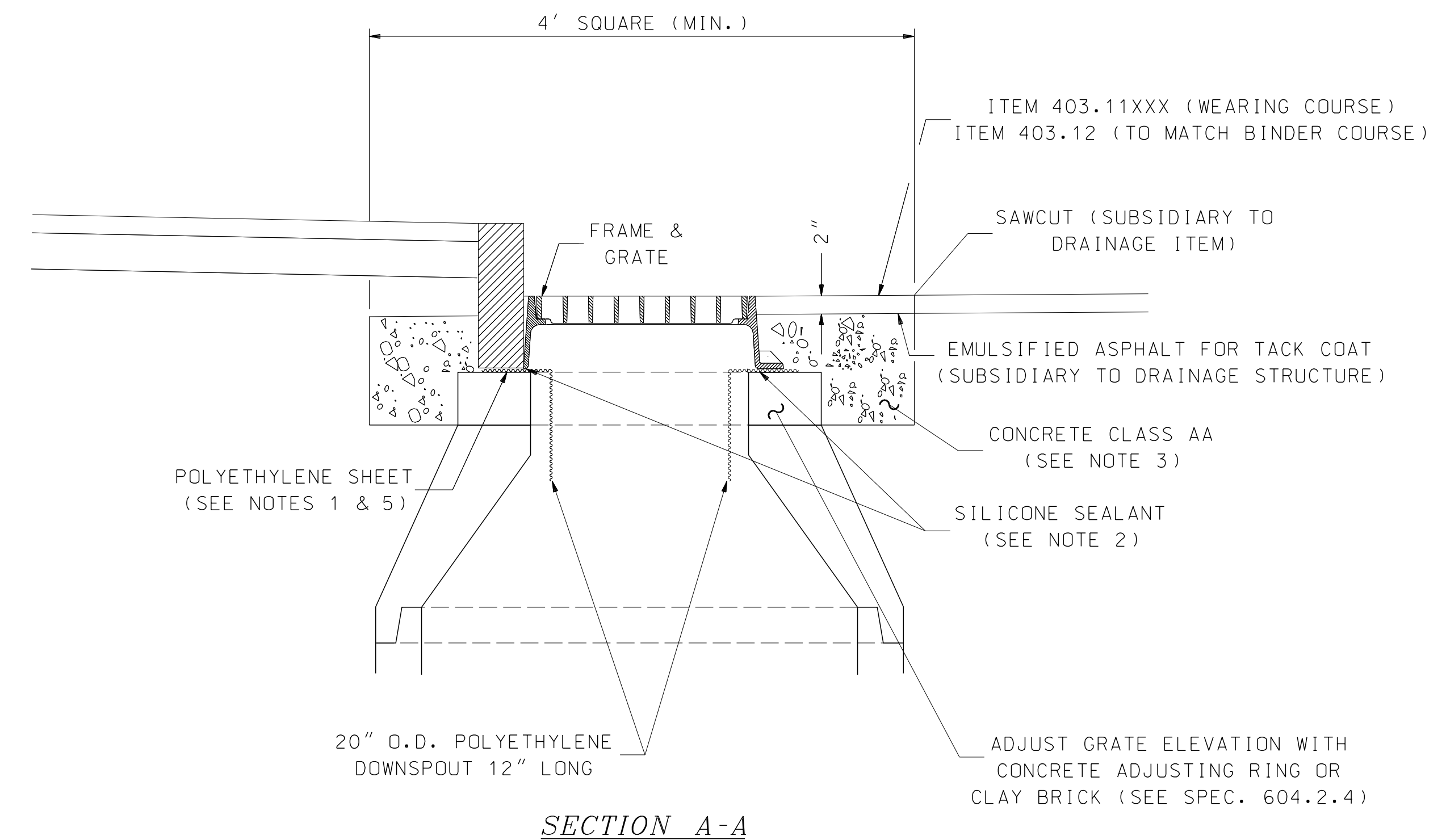
- POLYETHYLENE LINER (ITEM 604.0007) SHALL BE FABRICATED AT THE SHOP. DOWNSPOUT SHALL BE EXTRUSION FILLET WELDED TO THE POLYETHYLENE SHEET.
- PLACE A CONTINUOUS BEAD OF AN APPROVED SILICONE SEALANT (SUBSIDIARY TO ITEM 604.0007) BETWEEN FRAME AND POLYETHYLENE SHEET (SEE SECTION A-A, PLATE 4).
- PLACE CLASS AA CONCRETE TO 2" BELOW THE TOP OF GRATE ELEVATION (SUBSIDIARY TO DRAINAGE STRUCTURE).
- USE ON DRAINAGE STRUCTURES 4' MIN. DIAMETER ONLY.
- TRIM POLYETHYLENE SHEET A MAXIMUM OF 4" OUTSIDE THE FLANGE ON THE FRAME FOR THE CATCH BASIN BEFORE PLACING CONCRETE (EXCEPT AS SHOWN WHEN USED WITH 3-FLANGE FRAME AND CURB).
- THE CENTER OF THE GRATE & FRAME MAY BE SHIFTED A MAXIMUM OF 6" FROM THE CENTER OF THE DOWNSPOUT IN ANY DIRECTION.
- PLACED ONLY IN DRAINAGE STRUCTURES IN PAVEMENT.



NHDOT STANDARD PLANS

POLYETHYLENE LINER

REV. DATE	PLATE
06-16-2010	3
08-14-2015	STANDARD
	DR-4



NHDOT STANDARD PLANS

POLYETHYLENE LINER

REV. DATE	PLATE
06-16-2010	4
	STANDARD
	DR-4