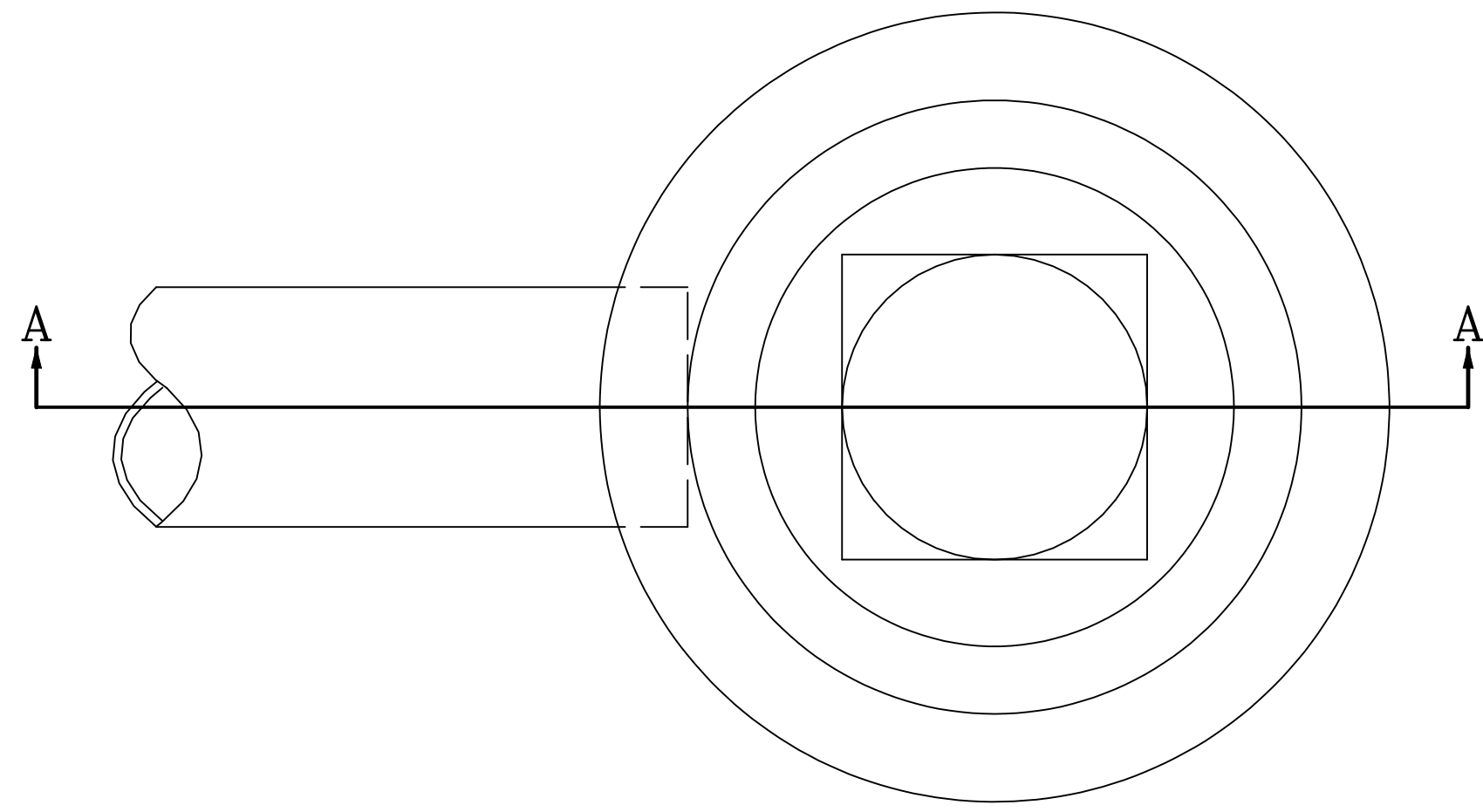
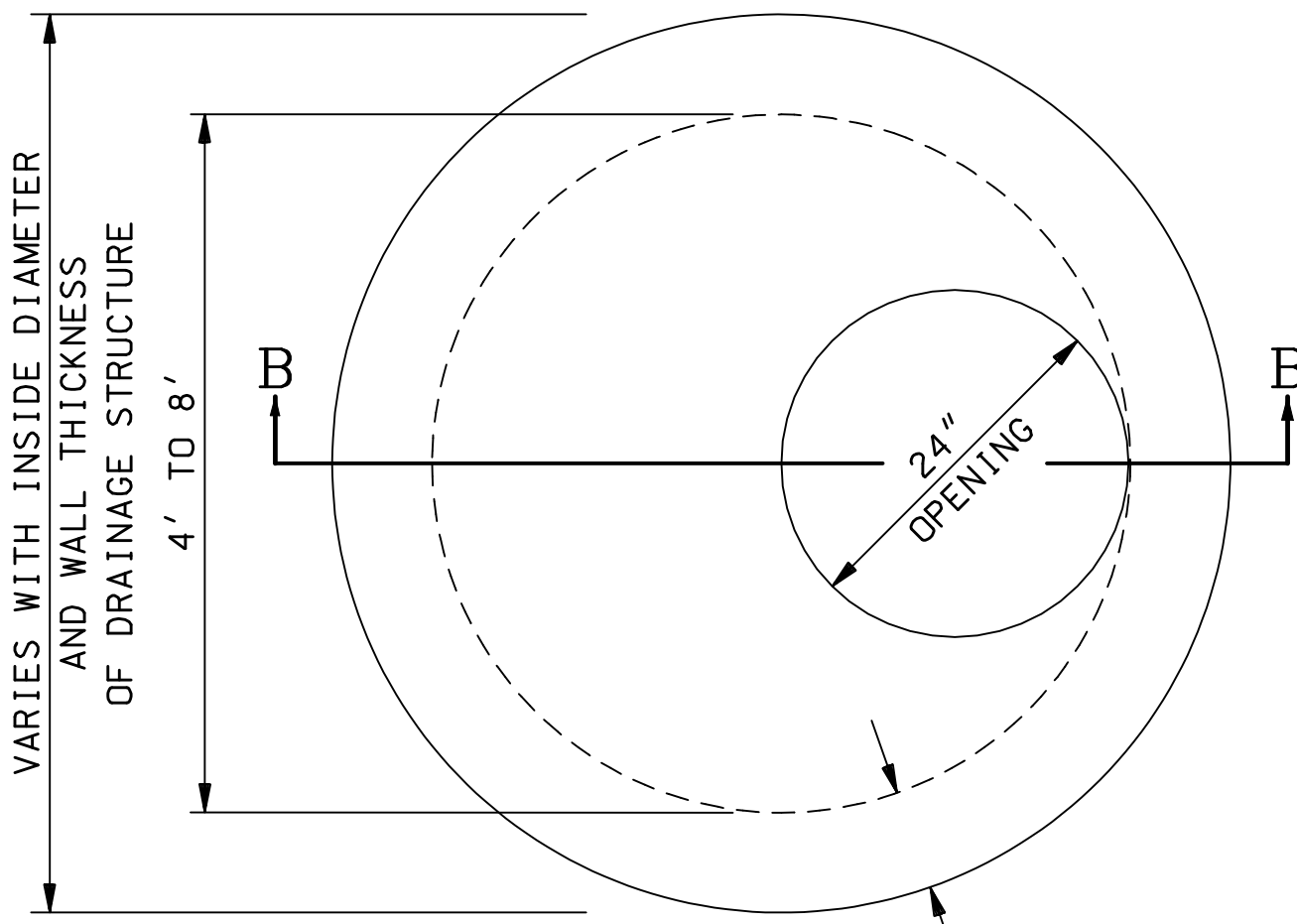


REVISION DATE
07-13-2001
06-16-2010

*.DGN FILE NAME
DR-5

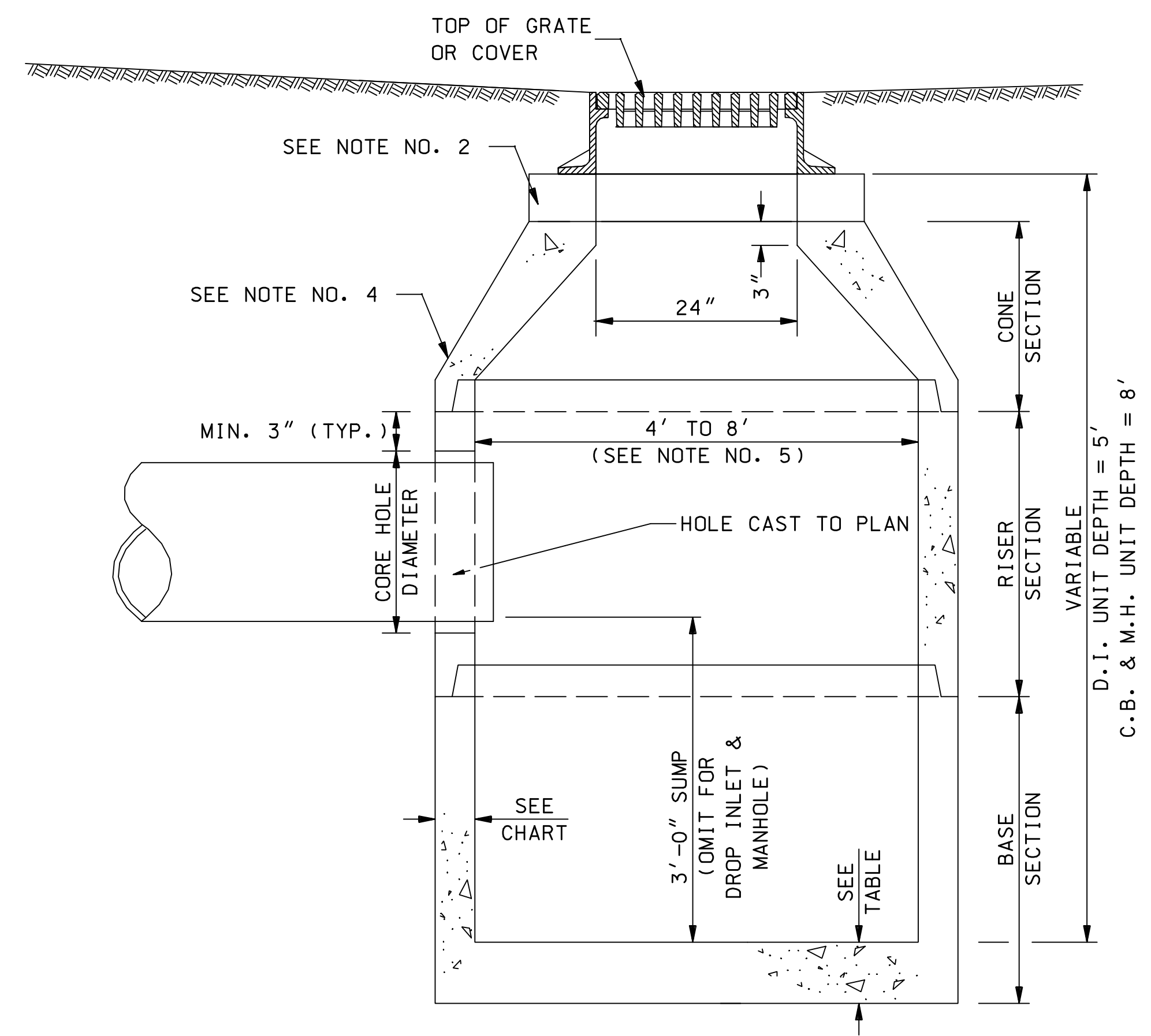


PLAN

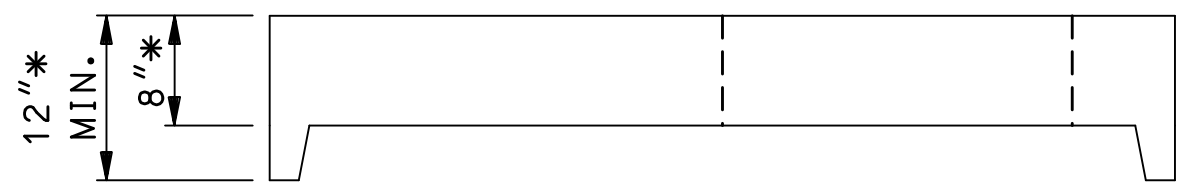


PLAN

CORE HOLE SIZE				
PIPE SIZE INCHES	RCP CORE HOLE DIA.		PLASTIC CORE HOLE DIA.	
	INCHES	FEET	INCHES	FEET
6			7	0.6
12	18	1.5	18	1.5
15	22	1.8	20	1.7
18	26	2.2	24	2.0
24	34	2.8	32	2.7
30	42	3.5	42	3.5
36	48	4.0	48	4.0
42	54	4.5	54	4.5
48	64	5.3	64	5.3
54	72	6.0		
60	78	6.5		



SECTION A-A



* FOR >6' Ø STRUCTURES
USE 16" & 12" DIMENSIONS

SECTION B-B

FLAT SLAB TOP

DIAMETER	WALL THICKNESS (MIN.)	FLOOR THICKNESS (MIN.)
4'	5"	6"
5'	6"	8"
6'	7"	8"
8'	9"	10"

GENERAL NOTES

- ITEM NUMBERS: C.B.= 604.1XXX, D.I.= 604.2XXX, M.H.= 604.32XX
- FITTING FRAME TO GRADE MAY BE DONE WITH PREFABRICATED ADJUSTMENT RINGS OR CLAY BRICKS (2 COURSES MAX.).
- CB & DI GRATES IN PAVED AREAS SHALL BE SET ACCORDING TO THE PAVEMENT DEPRESSION DETAIL SHOWN ON PLATE 4 OF STANDARD NO. DR-2.
- CONE SECTIONS MAY BE EITHER CONCENTRIC OR ECCENTRIC, OR FLAT SLAB TOPS MAY BE USED WHERE PIPE WOULD OTHERWISE ENTER INTO THE CONE SECTION OF THE STRUCTURE AND WHERE PERMITTED.
- FOR STRUCTURES WITH DIAMETERS GREATER THAN 4', THE DIAMETER MAY BE CONSTANT FROM TOP TO BOTTOM WITH A FLAT SLAB TOP, OR A RISER SECTION THAT TRANSITIONS FROM A STANDARD 4' CONE SECTION TO THE LARGER DIAMETER RISER OR BASE SECTION MAY BE USED.
- PIPE ELEVATIONS SHOWN ON PLANS SHALL BE FIELD VERIFIED PRIOR TO PRECASTING.
- OUTSIDE EDGES OF PIPES SHALL PROJECT NO MORE THAN 3" BEYOND INSIDE WALL OF STRUCTURE.
- PRECAST SECTIONS SHALL HAVE A TONGUE AND GROOVE JOINT 4" HIGH AT AN 11° ANGLE CENTERED IN THE WIDTH OF THE WALL AND SHALL BE ASSEMBLED USING AN APPROVED FLEXIBLE SEALANT IN JOINTS.
- ALL STRUCTURES WITH MULTIPLE PIPES SHALL HAVE A MINIMUM OF 12" OF INSIDE SURFACE BETWEEN HOLES, NO MORE THAN 75% OF A HORIZONTAL CROSS-SECTION SHALL BE HOLES, AND THERE SHALL BE NO HOLES CLOSER THAN 3" TO JOINTS.

DRAINAGE STANDARD
PRECAST REINFORCED CONCRETE
C.B., D.I. AND M.H.