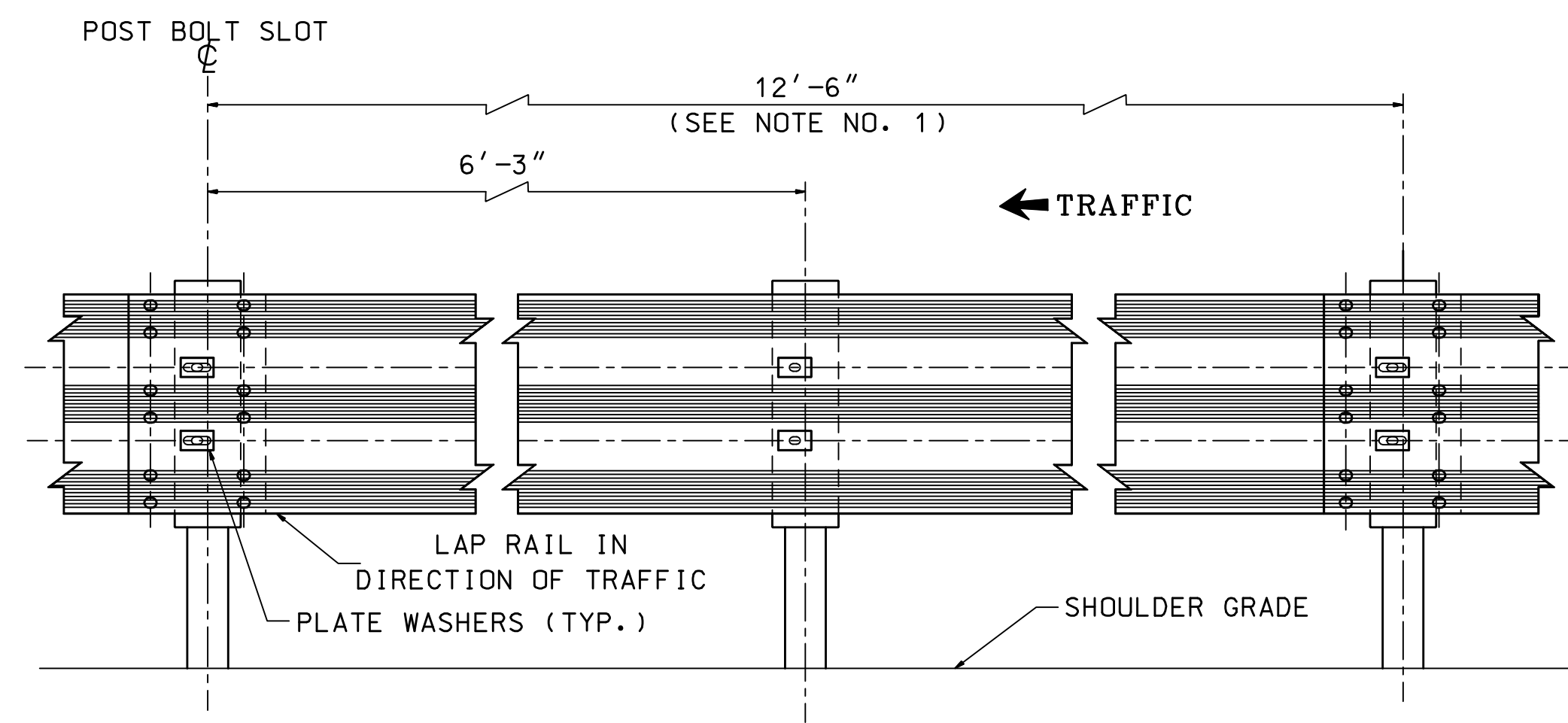
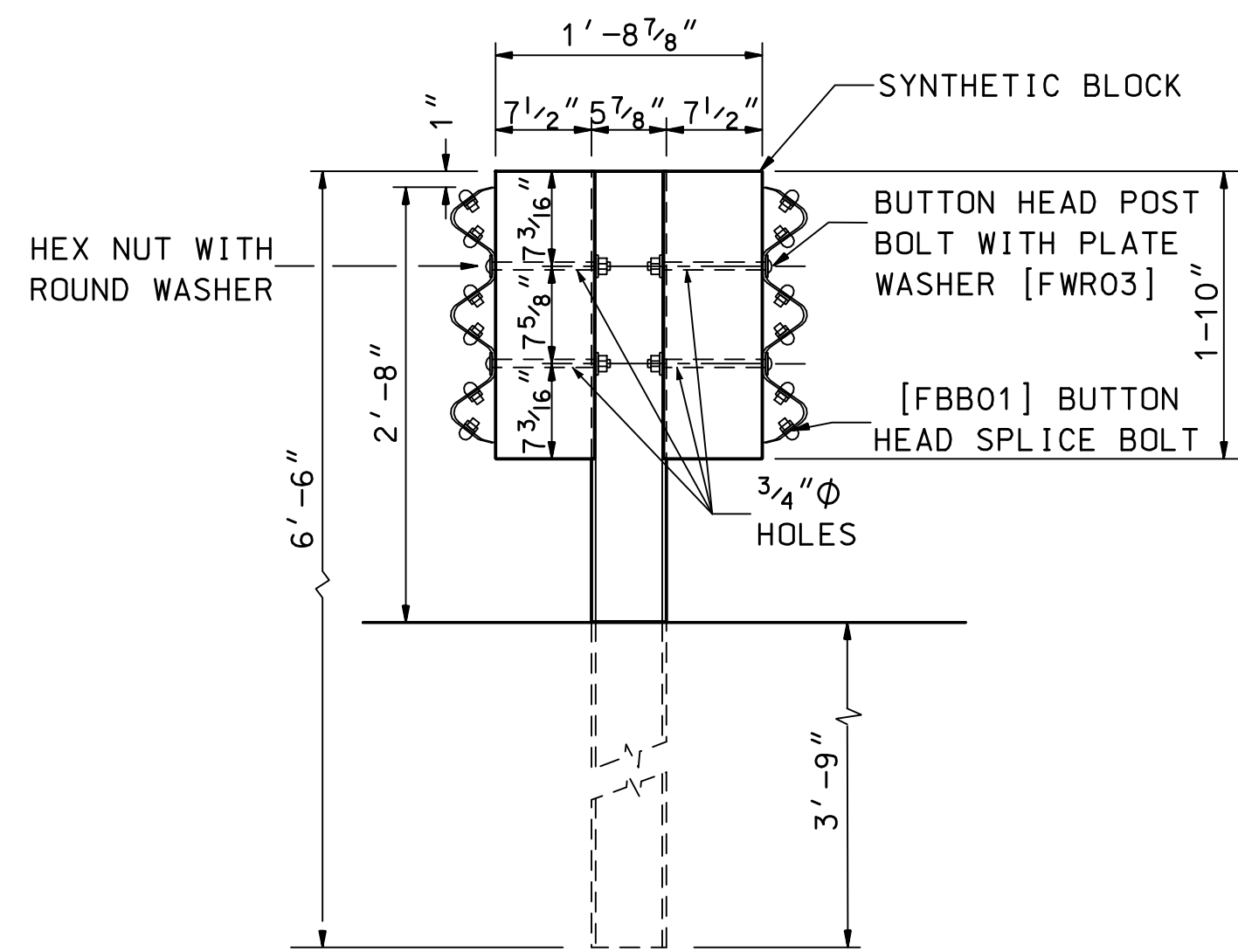


REVISION DATE
06-16-2010
11-05-2010
05-03-2011

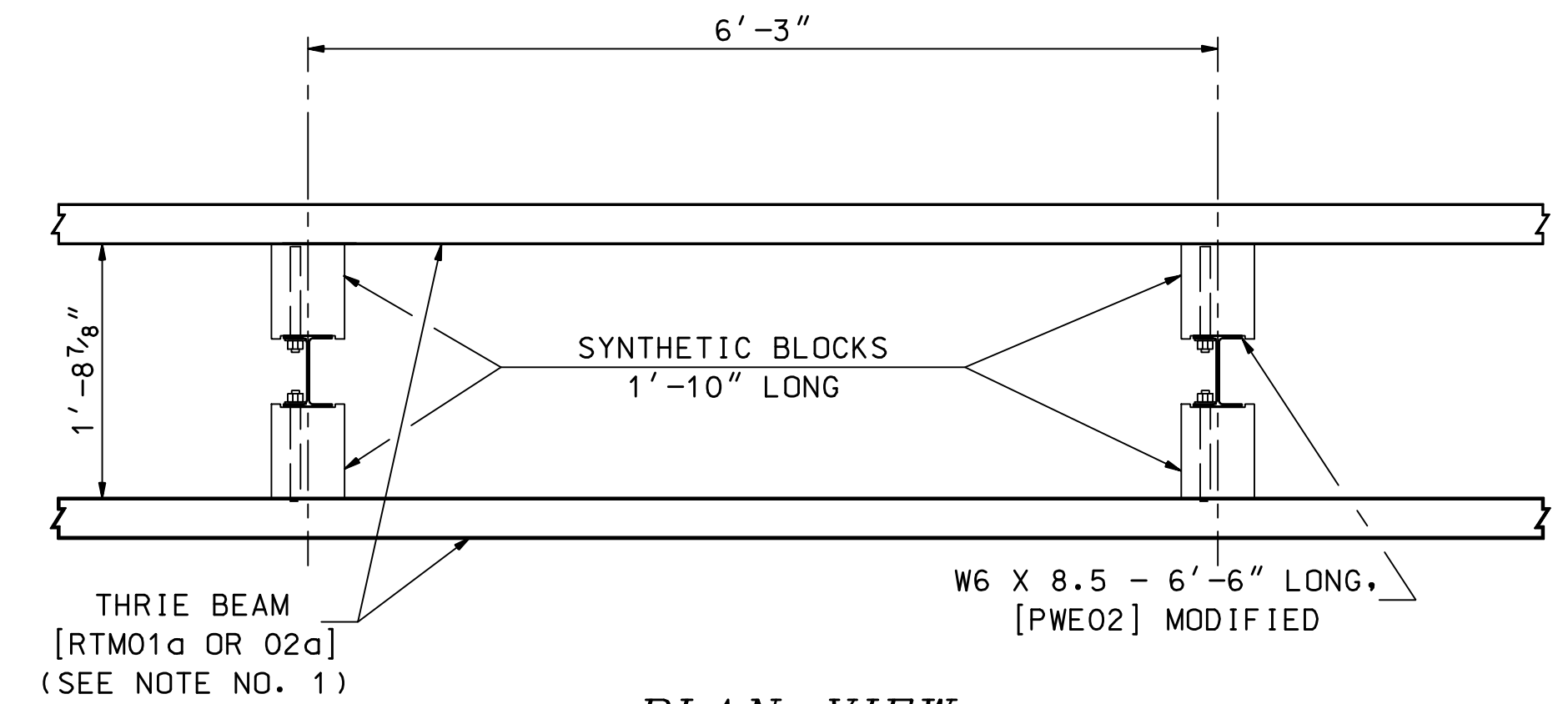
*DGN FILE NAME
GR-12



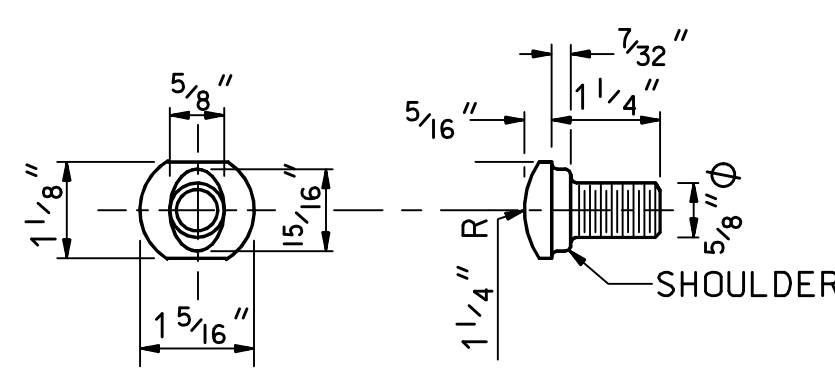
ELEVATION VIEW



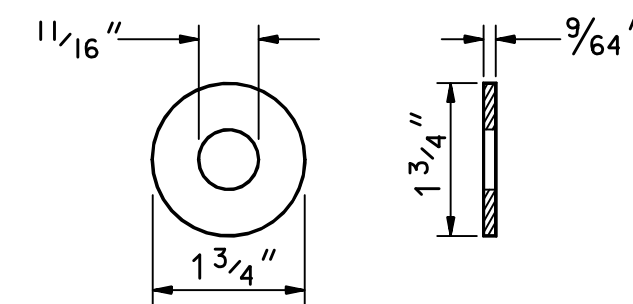
SIDE VIEW AT SPLICE POST



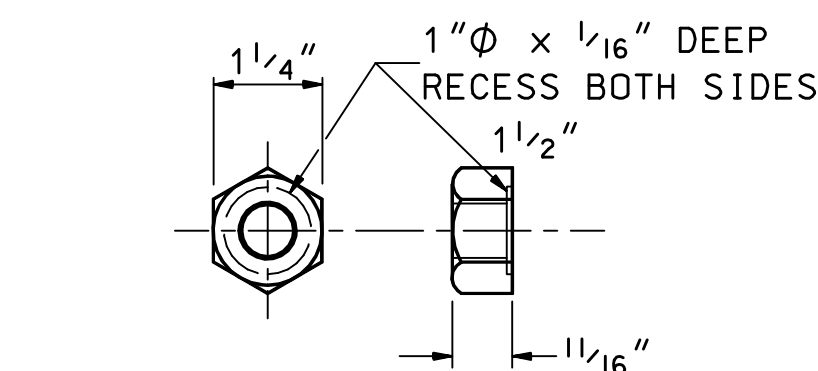
PLAN VIEW



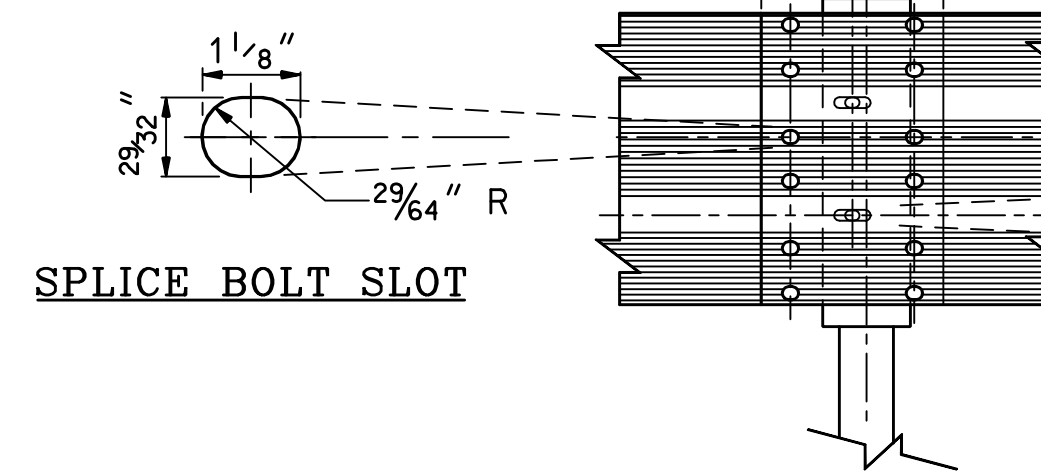
**SPLICE BOLT [FBB01]
(12 REQ'D PER SPLICE)**



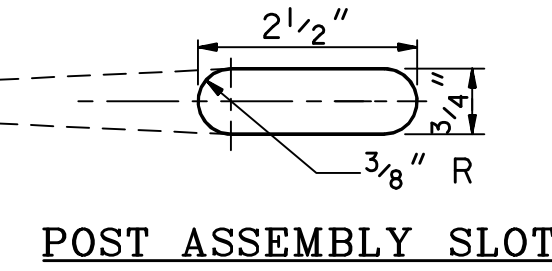
ROUND WASHER [FWC16a]



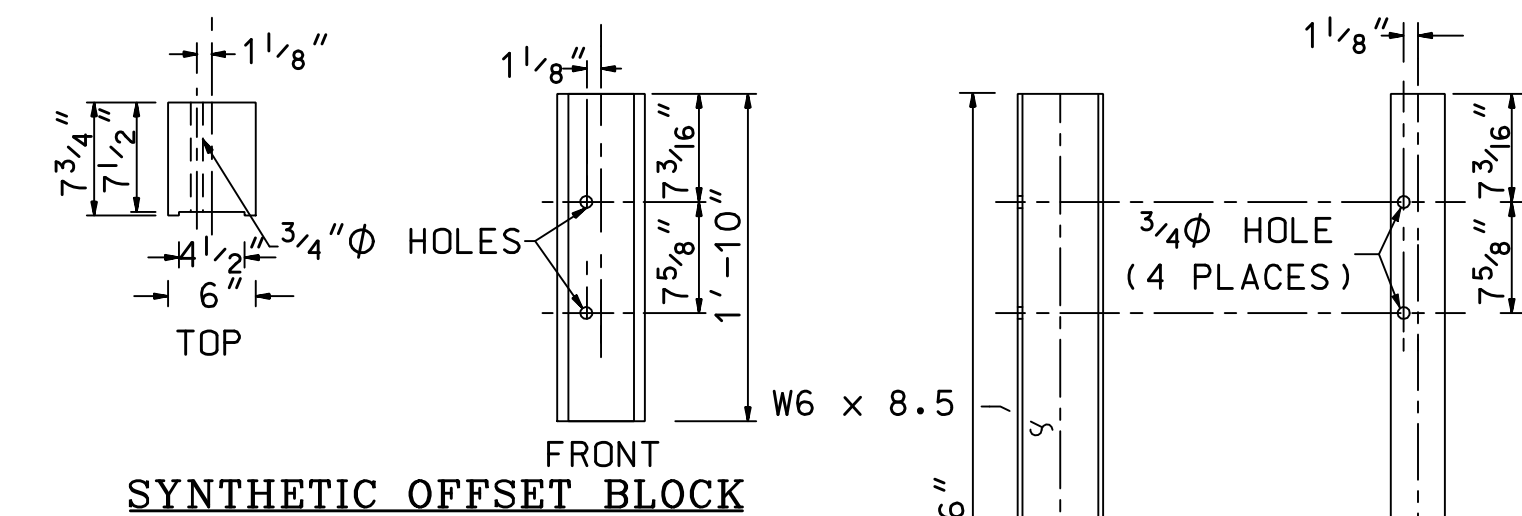
NUT FOR SPLICE & POST BOLTS [FBB01 & 05]



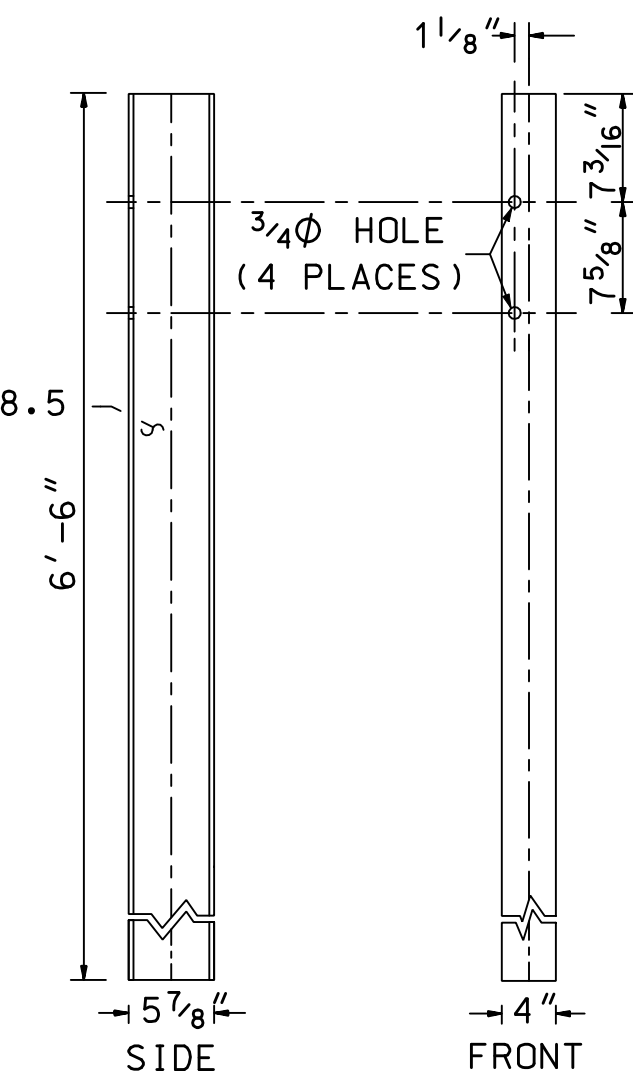
SPLICE BOLT SLOT



POST ASSEMBLY SLOT

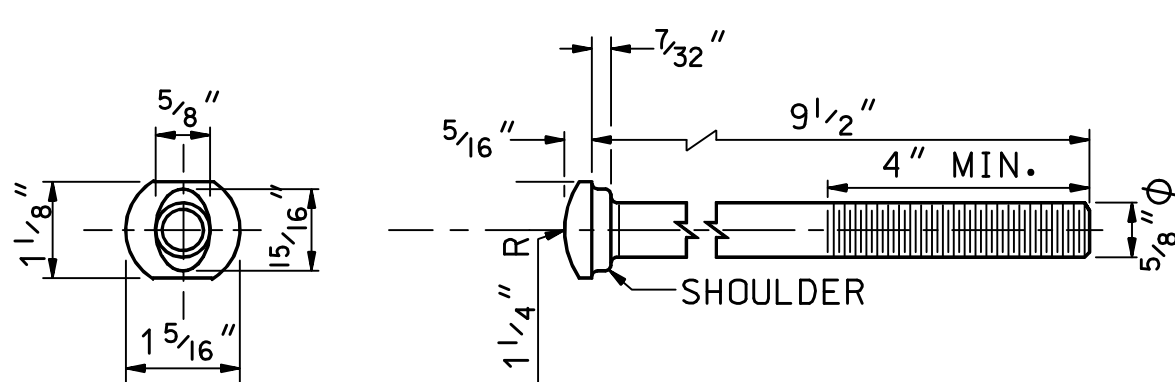


SYNTHETIC OFFSET BLOCK



STEEL POST

STRUCTURAL SHAPE STEEL POST & BLOCK



**POST BOLT [FBB03]
(2 REQ'D PER POST)**

NOTE: LONGER ERECTION BOLTS MAY BE REQUIRED

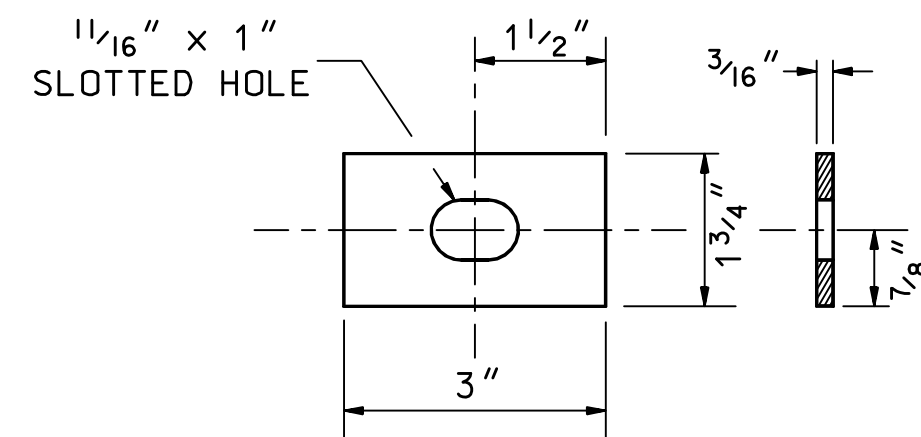
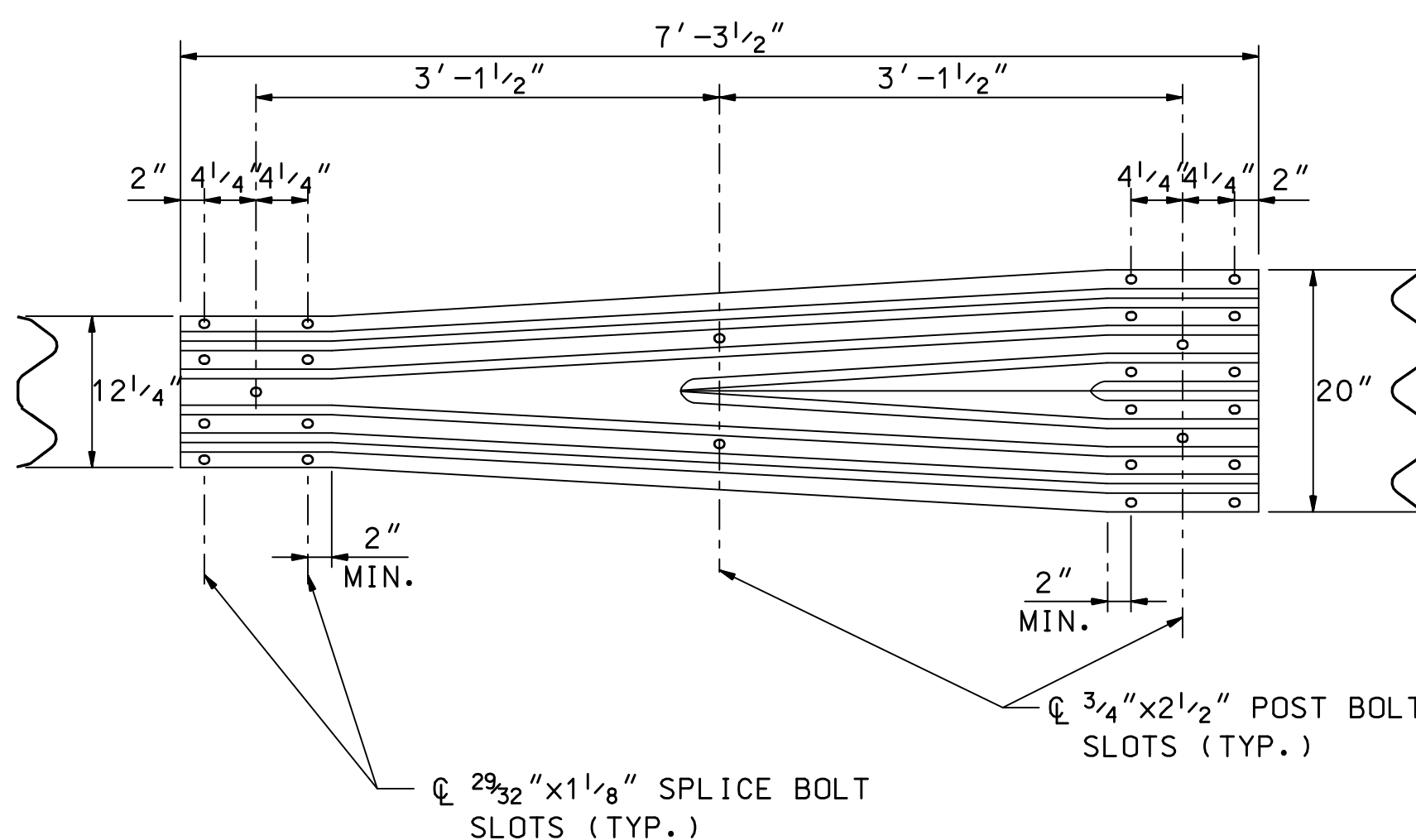
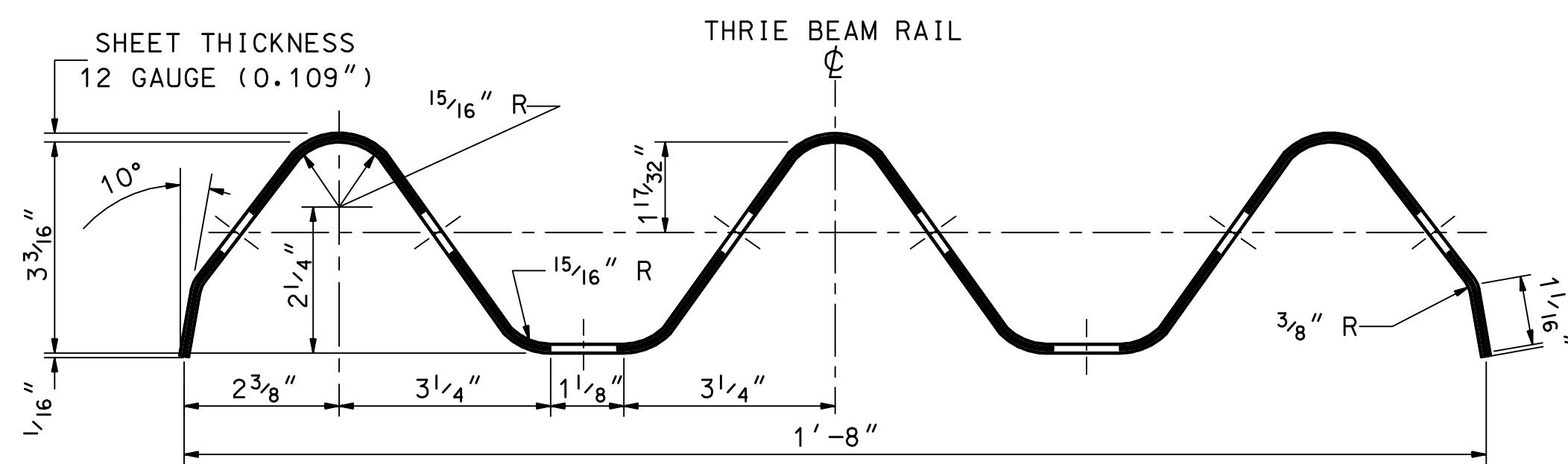


PLATE WASHER [FWR03]



W-THRIE BEAM TRANSITION SECTION [RWT01a]



THRIE BEAM RAIL SECTION [RTM01a & RTM02a]

GENERAL NOTES

- 25'-0" RAIL PANELS MAY BE USED IN PLACE OF 12'-6" PANELS, EXCEPT ON CURVES WITH A RAIL RADIUS OF LESS THAN 300 FT.
- GUARDRAIL HEIGHT SHALL BE SET FROM THE GRADE AT THE FACE OF RAIL.
- DESIGNATIONS PROVIDED IN BRACKETS [] REFERENCE STANDARD ELEMENTS DETAILED IN A *GUIDE TO STANDARDIZED HIGHWAY BARRIER HARDWARE*, LATEST ADOPTED VERSION, AASHTO-AGC-ARTBA JOINT COOPERATIVE COMMITTEE.
- SEE STD. NO. DL-1 FOR BEAM GUARDRAIL DELINEATORS.
- PAID UNDER APPROPRIATE 606 ITEMS, OR AS SHOWN ON PLANS.
- DIMENSIONS OF PLASTIC AND SYNTHETIC BLOCKOUTS ARE AS SHOWN ON MANUFACTURER'S DRAWINGS.

GUARDRAIL STANDARD
BEAM GUARDRAIL THRIE
BEAM DOUBLE-FACED (STEEL)

STANDARD PLANS

