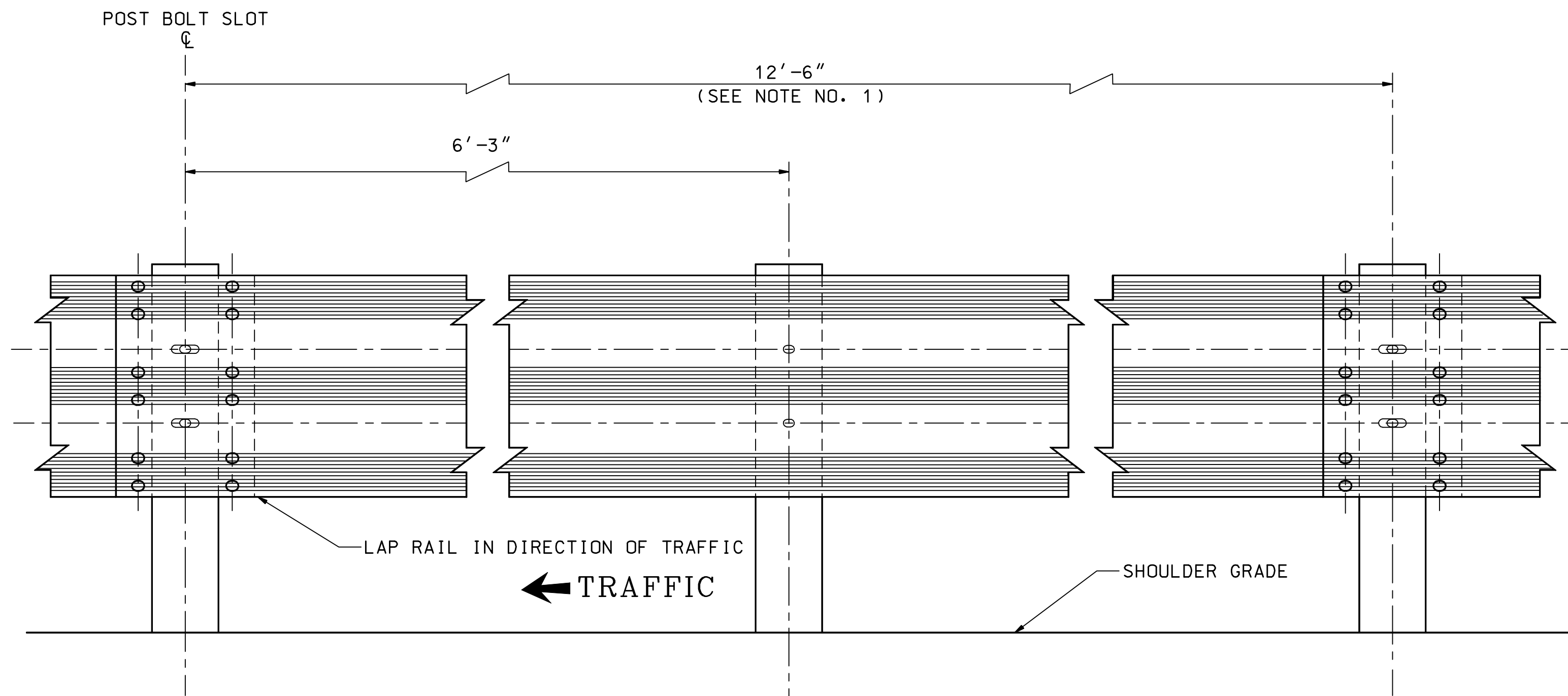
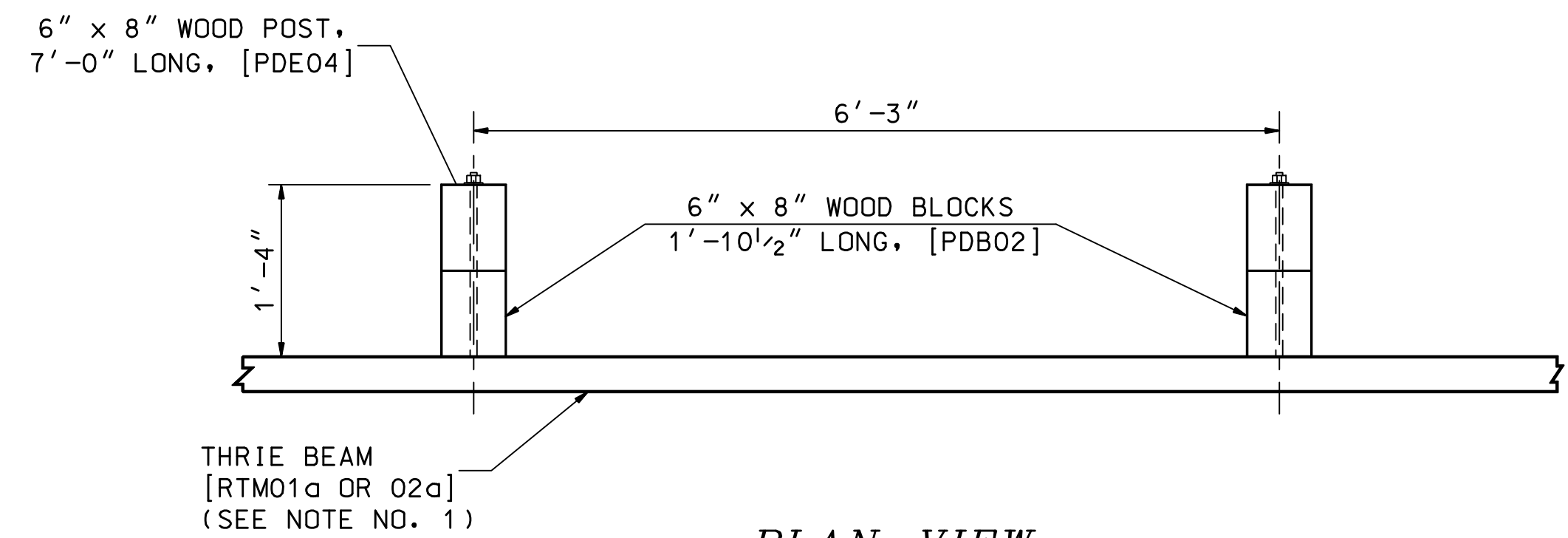


REVISION DATE
07-13-2001
06-16-2010

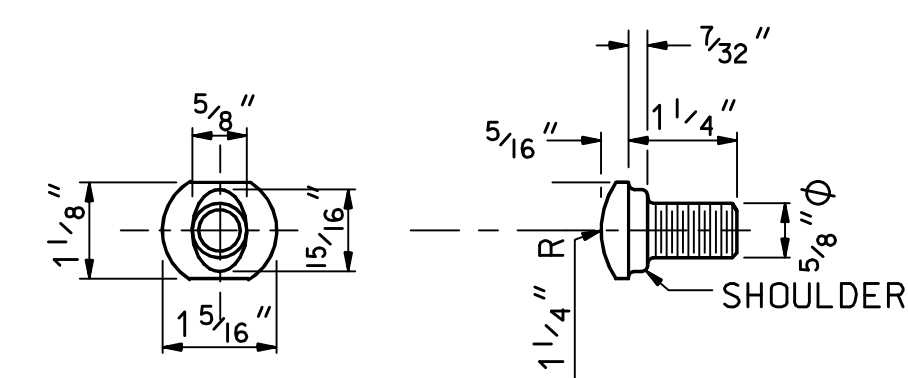
*DGN FILE NAME GR-13



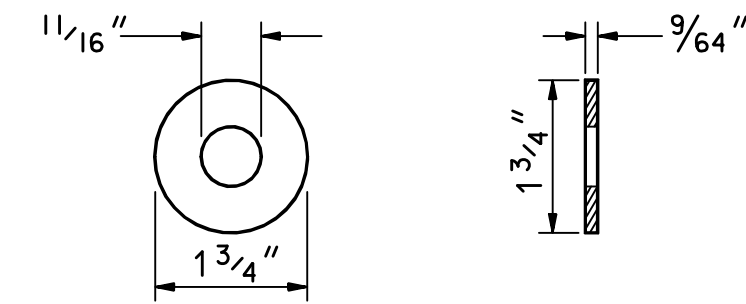
ELEVATION VIEW



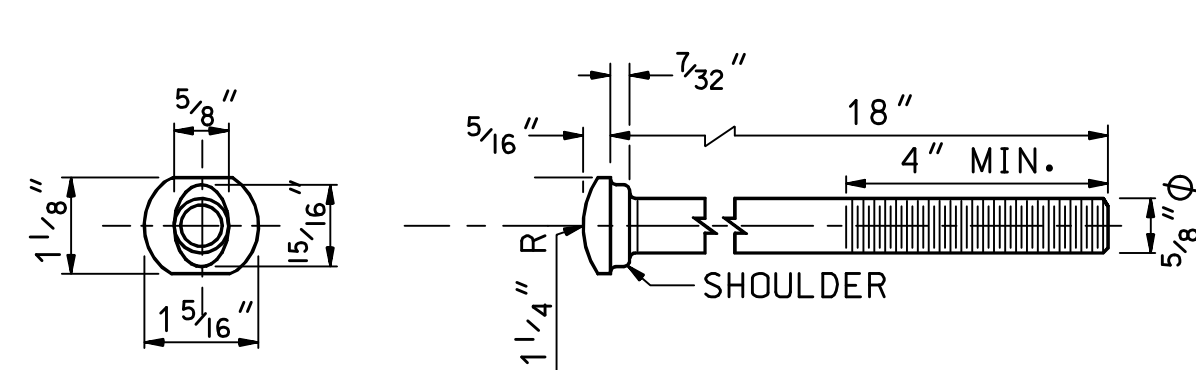
PLAN VIEW



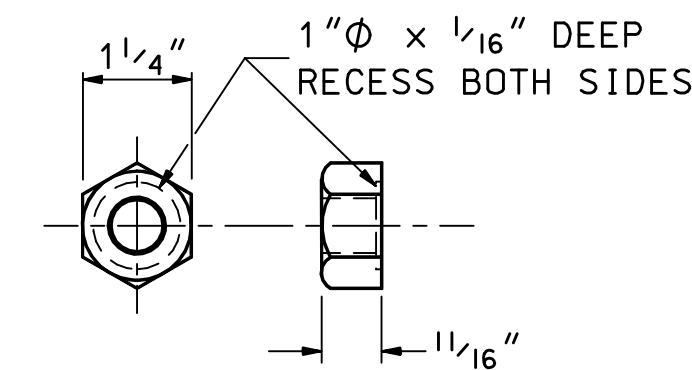
SPLICE BOLT [FBB01] (12 REQ'D PER SPLICE)



ROUND WASHER [FWC16a]

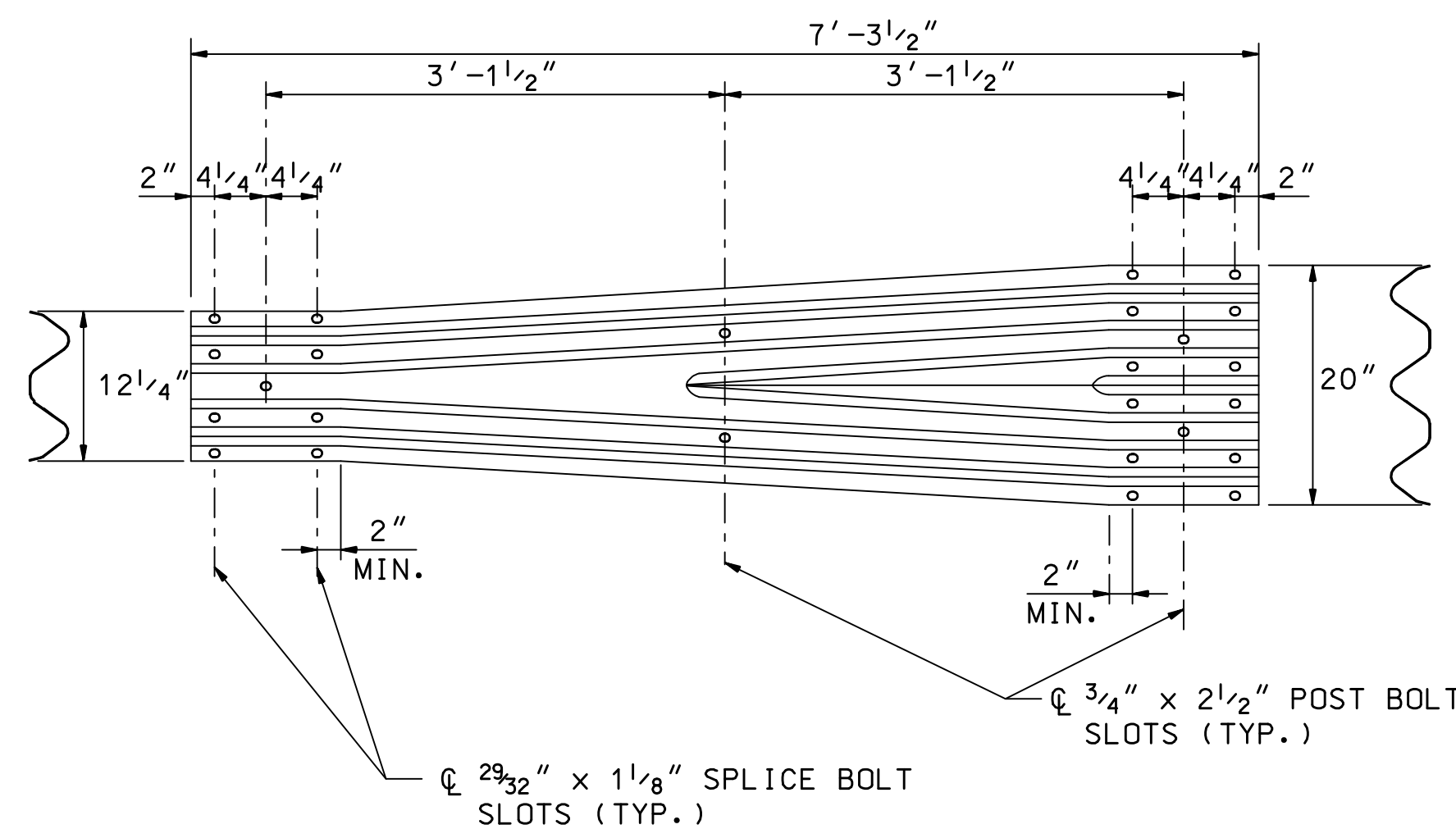


POST BOLT [FBB05] (2 REQ'D PER POST)

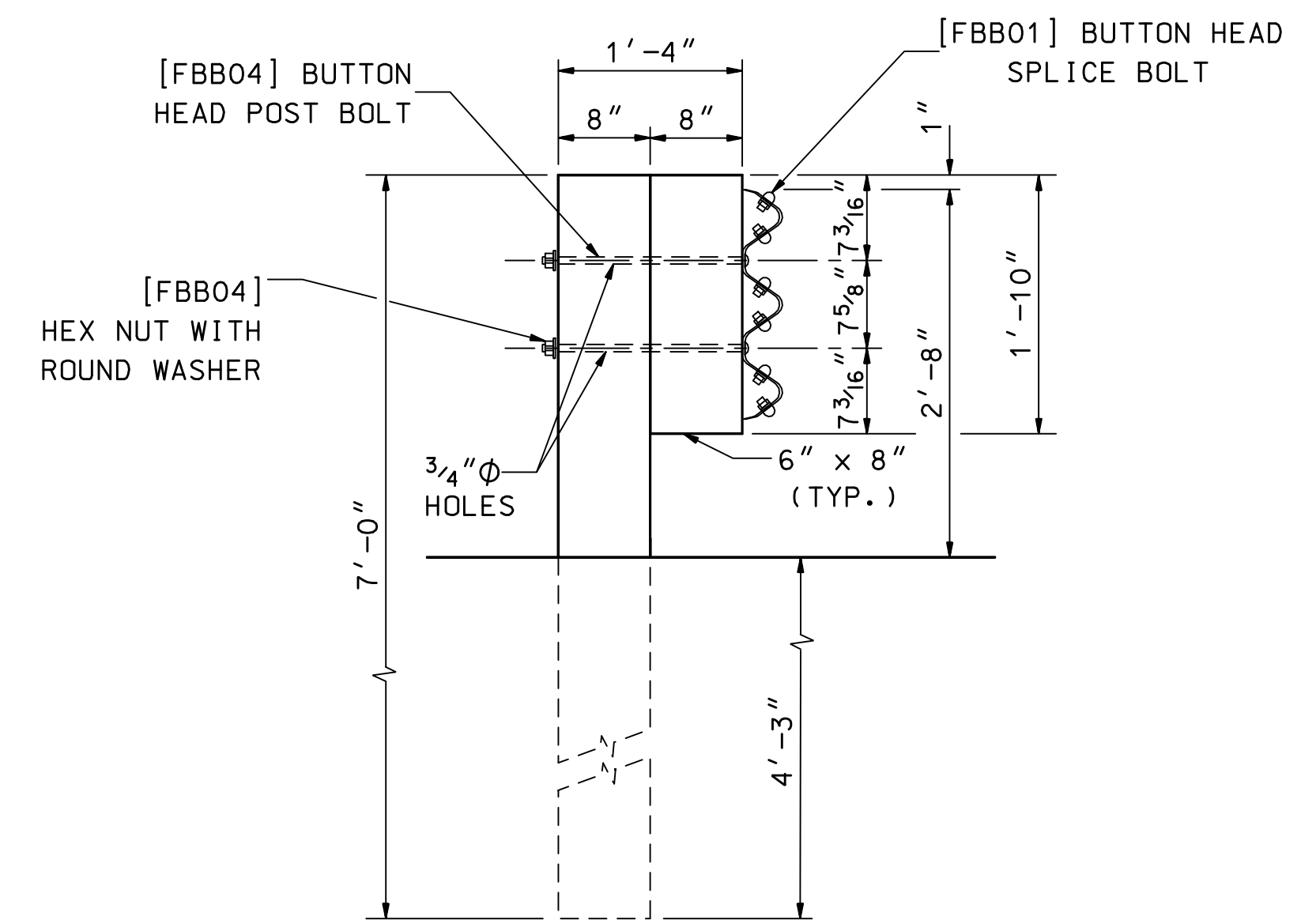


NUT FOR SPLICE & POST BOLTS [FBB01 & 05]

NOTE: LONGER ERECTION BOLTS MAY BE REQUIRED



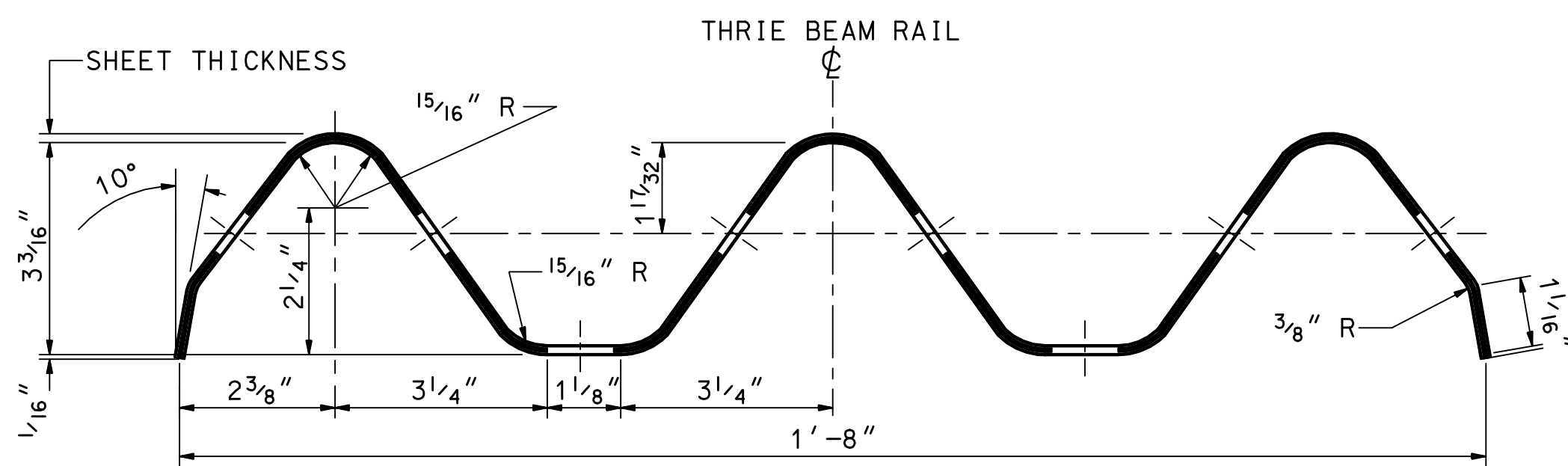
W-THRIE BEAM TRANSITION SECTION [IRWT01a]



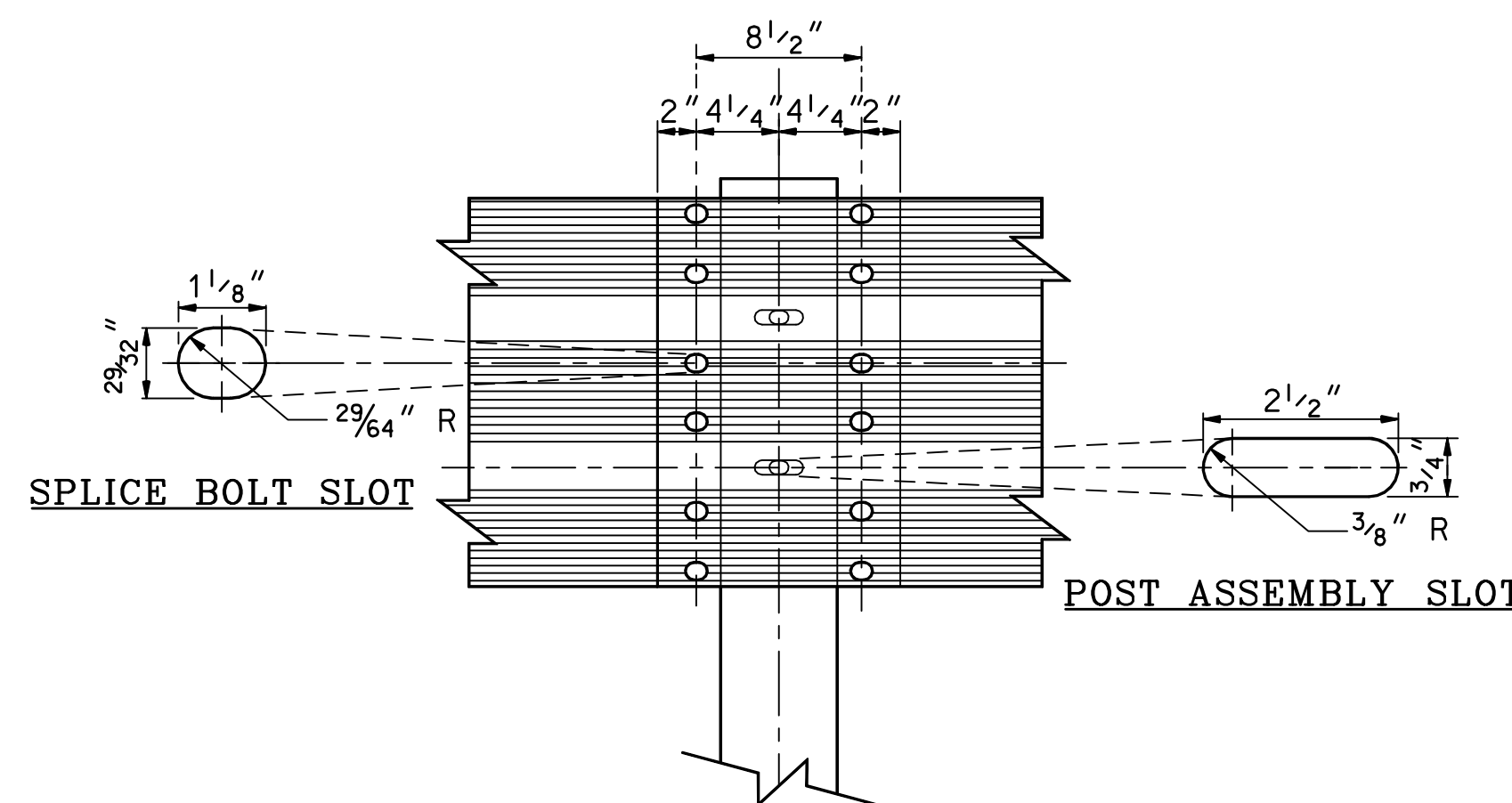
SIDE VIEW AT SPLICE POST

GENERAL NOTES

- 25'-0" RAIL PANELS MAY BE USED IN PLACE OF 12'-6" PANELS, EXCEPT ON CURVES WITH A RAIL RADIUS OF LESS THAN 300 FT.
- GUARDRAIL HEIGHT SHALL BE SET FROM THE GRADE AT THE FACE OF RAIL.
- DESIGNATIONS PROVIDED IN BRACKETS [] REFERENCE STANDARD ELEMENTS DETAILED IN A GUIDE TO STANDARDIZED HIGHWAY BARRIER HARDWARE, LATEST ADOPTED VERSION, AASHTO-AGC-ARTBA JOINT COOPERATIVE COMMITTEE.
- SEE STD. NO. DL-1 FOR BEAM GUARDRAIL DELINEATORS.
- PAID FOR UNDER APPROPRIATE 606 ITEMS, OR AS SHOWN ON PLANS.
- POSTS SHORTER THAN THE 7'-0" INDICATED ON THE DETAIL, BUT NOT LESS THAN 6'-6", MAY ONLY BE USED WHEN
 - THE SLOPE BEHIND THE GUARDRAIL IS NO STEEPER THAN 4:1
 - WHERE THE DISTANCE FROM THE BACK OF THE POST TO THE BREAK OF THE SLOPE IS A MINIMUM OF 2'-0"
 - AND THEN ONLY AS APPROVED OR SPECIFICALLY SHOWN ON THE PLANS.



THRIE BEAM RAIL SECTION [RTM01a & RTM02a]



BEAM SPLICE

GUARDRAIL STANDARD
BEAM GUARDRAIL
THRIE BEAM SINGLE-FACED

STANDARD PLANS

