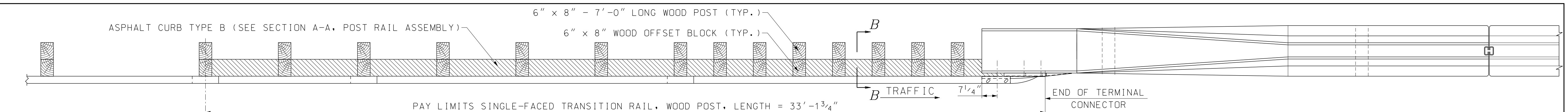


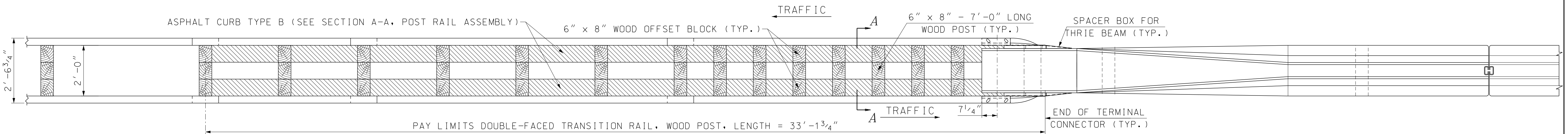
REVISION DATE
06-16-2010
11-05-2010
10-30-2012

*DGN FILE NAME GR-17

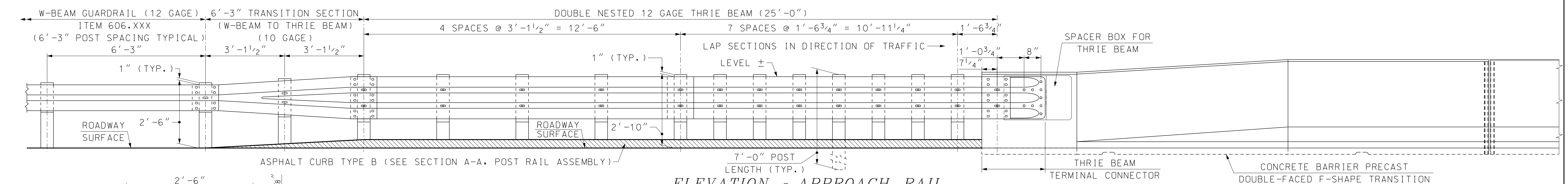
STANDARD PLANS



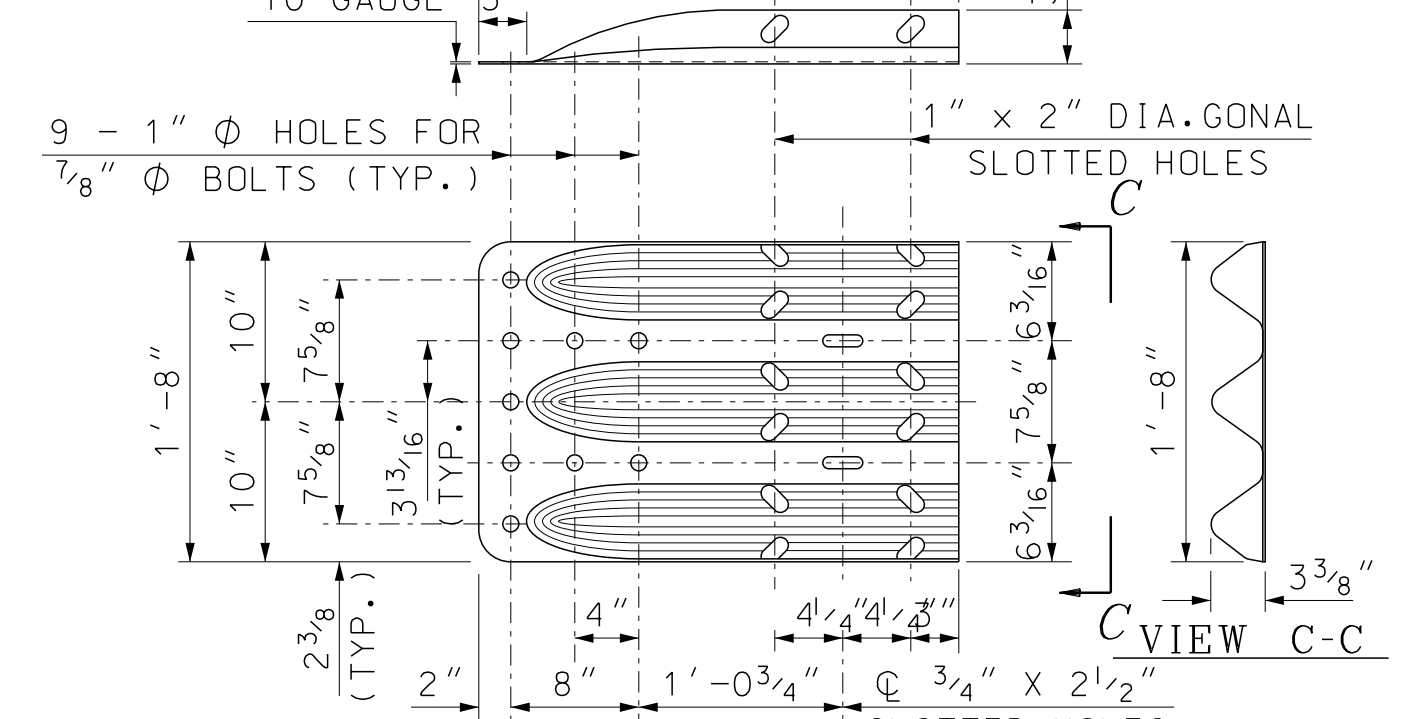
PLAN VIEW - CONCRETE BARRIER TO GUARDRAIL CONNECTION DETAIL (SINGLE-FACED THRIE BEAM GUARDRAIL)



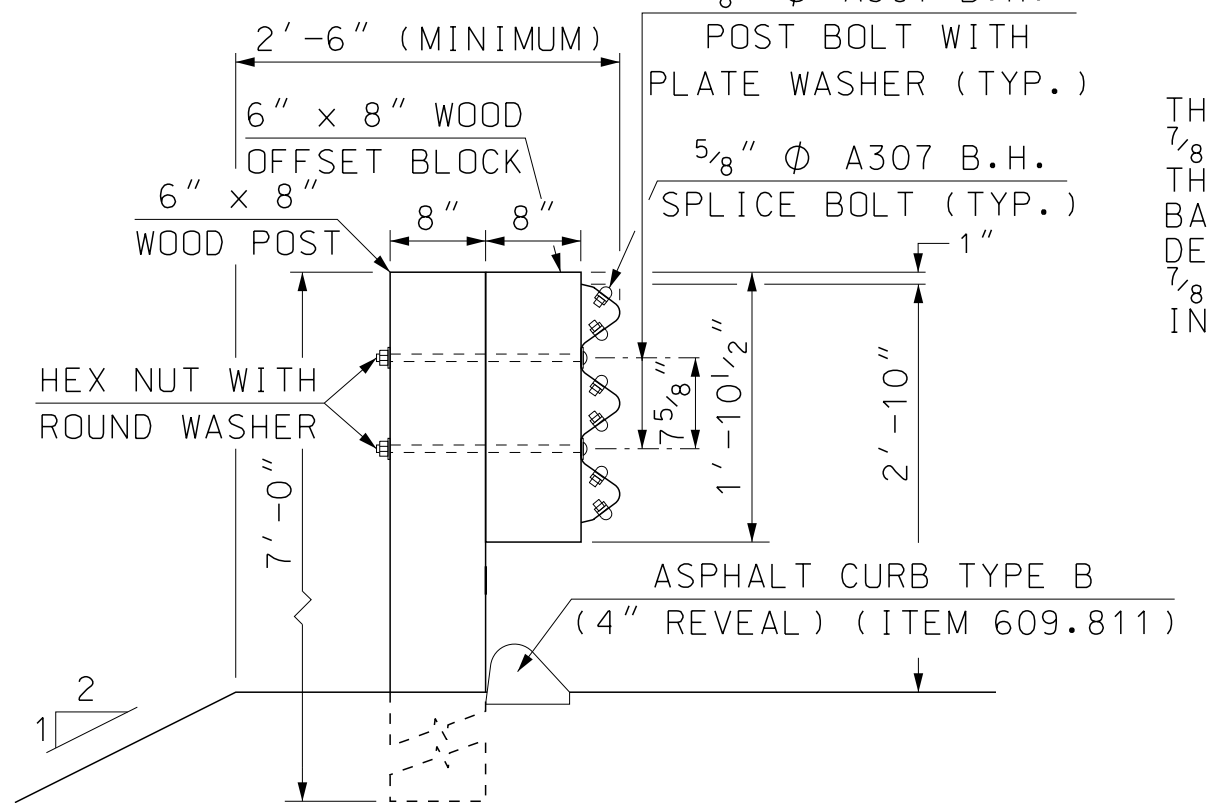
PLAN VIEW - CONCRETE BARRIER TO GUARDRAIL CONNECTION DETAIL (DOUBLE-FACED THRIE BEAM GUARDRAIL)



ELEVATION - APPROACH RAIL



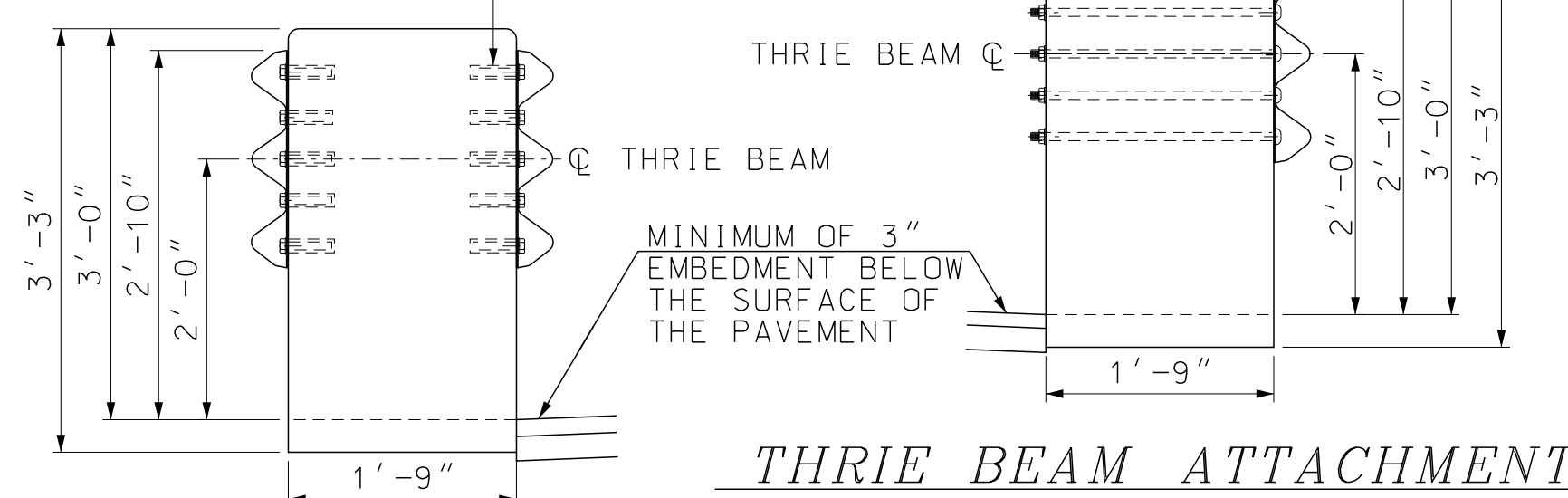
THRIE BEAM TERMINAL CONNECTOR



SECTION B-B (POST RAIL ASSEMBLY)

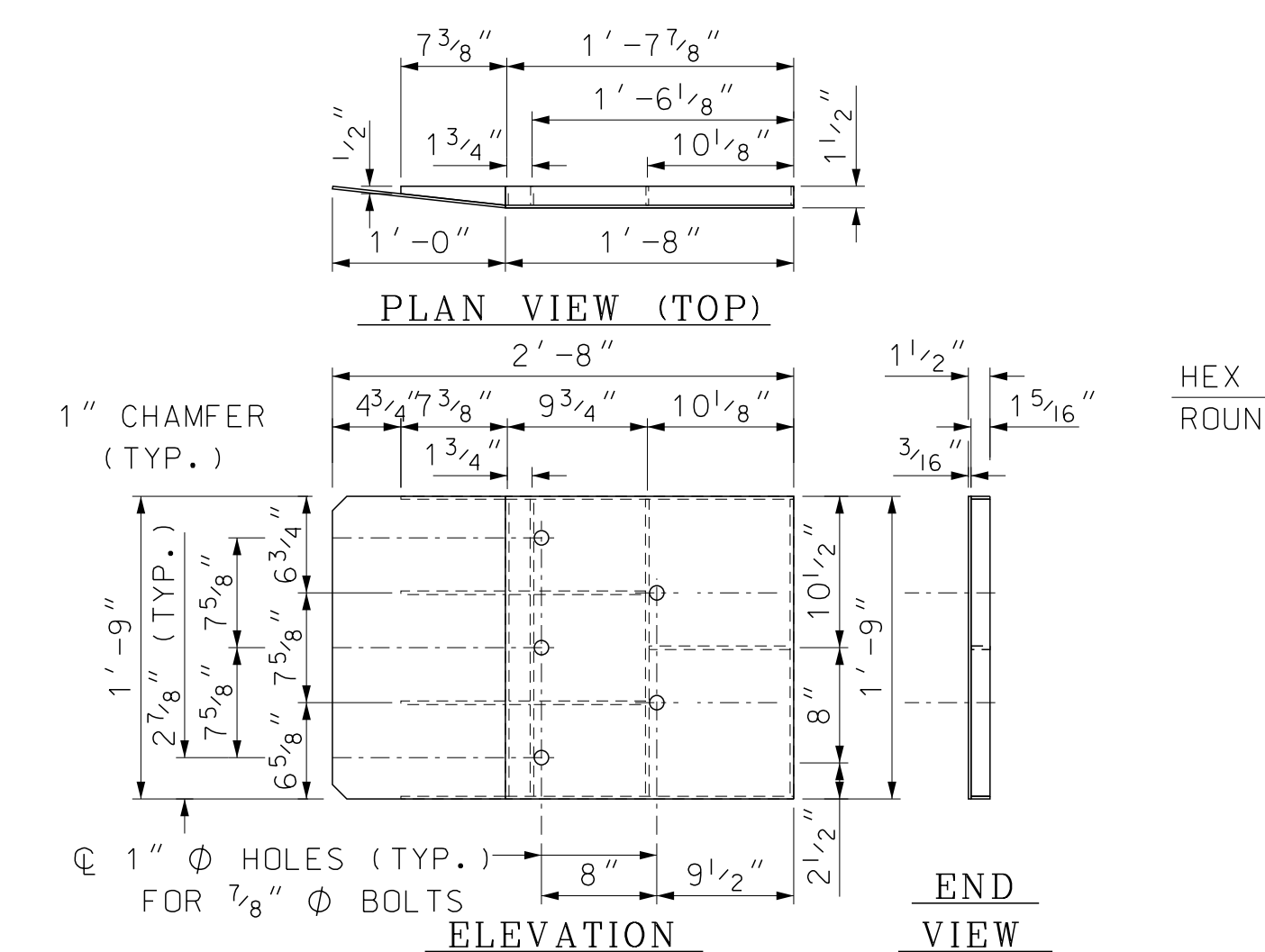
THRIE BEAM SHALL BE FASTENED WITH 1/8\"/>

THRIE BEAM SHALL BE FASTENED WITH 1/8\"/>

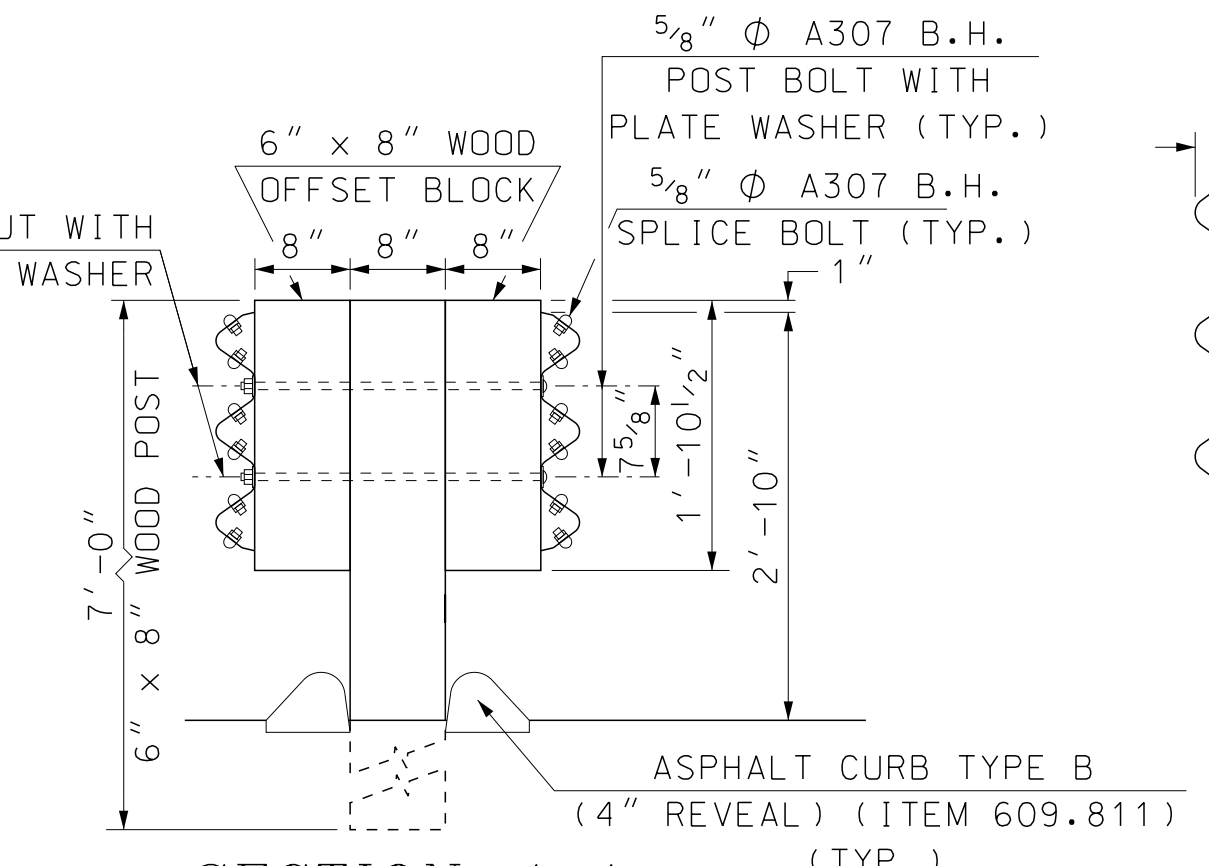


THRIE BEAM ATTACHMENT

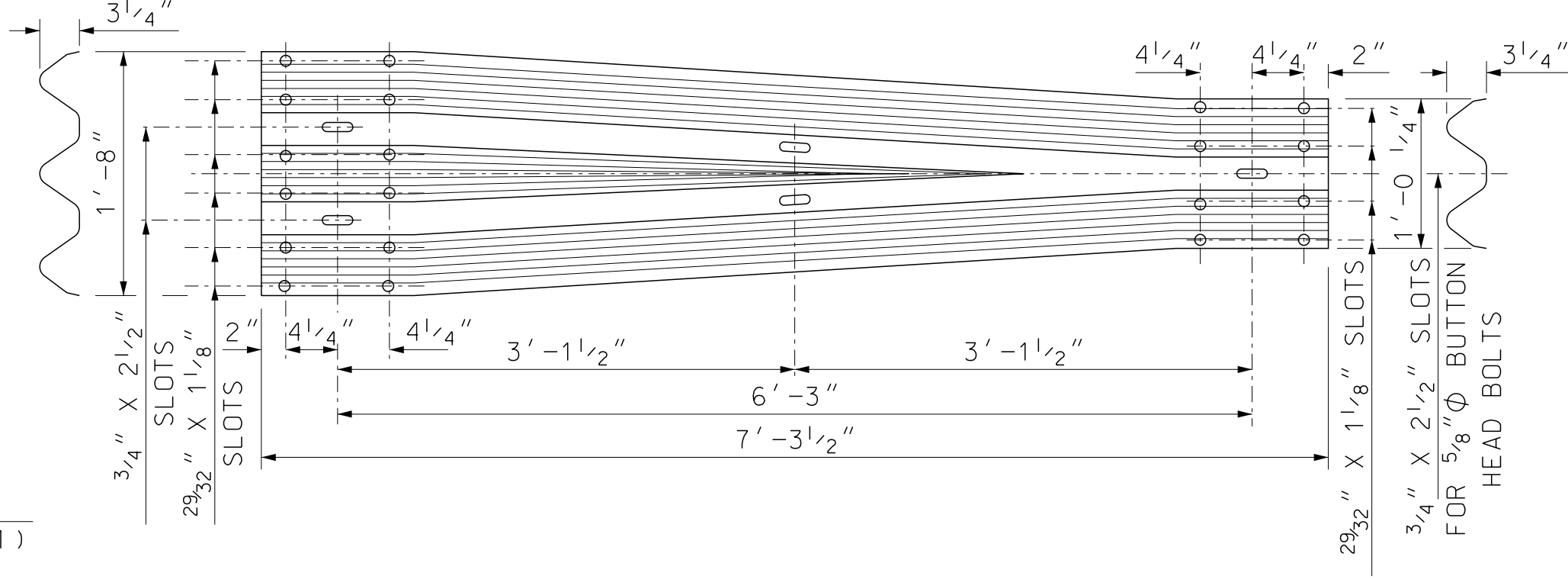
DOUBLE-FACED THRIE BEAM ATTACHMENT



SPACER BOX DETAILS



SECTION A-A (POST RAIL ASSEMBLY)



THRIE BEAM TO W-BEAM TRANSITION SECTION

GENERAL NOTES

1. ALL THRIE BEAM RAIL, INCLUDING TRANSITION SECTION, SHALL BE GALVANIZED 12 GAUGE. ALL TERMINAL CONNECTORS SHALL BE GALVANIZED 10 GAUGE.
2. CONNECTIONS TO CONCRETE BARRIER SHALL BE APPROVED 1/8\"/>
3. ALL CONNECTIONS FOR THE THRIE BEAM RAIL AND TERMINAL CONNECTOR SHALL LAP IN THE DIRECTION OF TRAFFIC.
4. ALL STEEL PLATES FOR SPACER BOXES SHALL BE 3/16\"/>
5. ALL HOLE DIAMETERS FOR SPACER BOXES SHALL BE 1\"/>
6. STIFFENERS LOCATED ON THE OUTSIDE EDGES OF COVER PLATES SHALL BE WELDED AS FOLLOWS: 3/32\"/>
7. STIFFENERS LOCATED ON THE INSIDE OF THE COVER PLATES SHALL BE WELDED AS FOLLOWS: 3/32\"/>
8. RECTANGULAR AND TRIANGULAR COVER PLATES SHALL BE WELDED TOGETHER WITH A 3/32\"/>
9. PAID FOR UNDER APPROPRIATE 606 ITEMS, OR AS SHOWN ON PLANS.

GUARDRAIL STANDARD
 TRANSITION F-SHAPE
 CONCRETE BARRIER
 AND GUARDRAIL (WOOD)