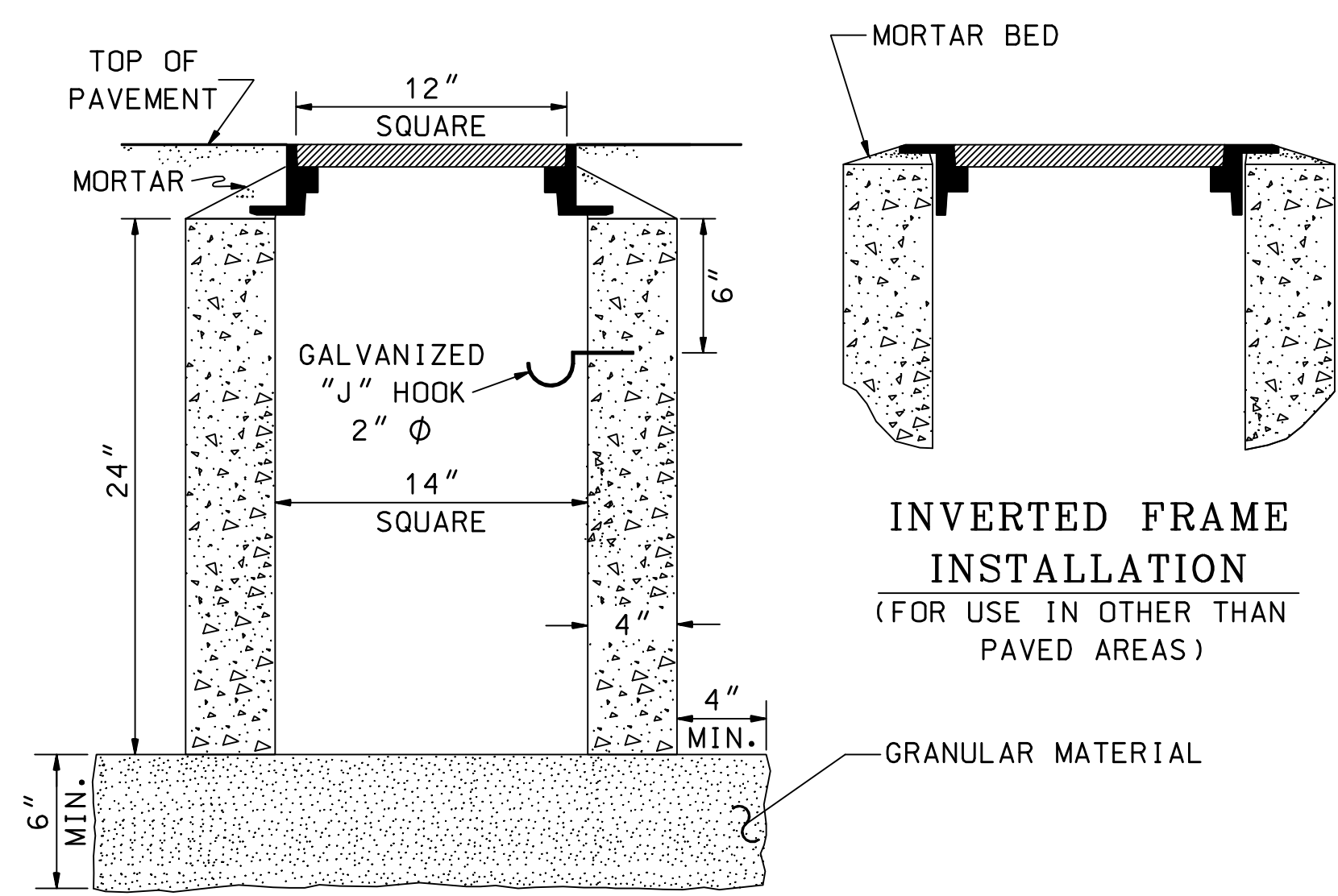
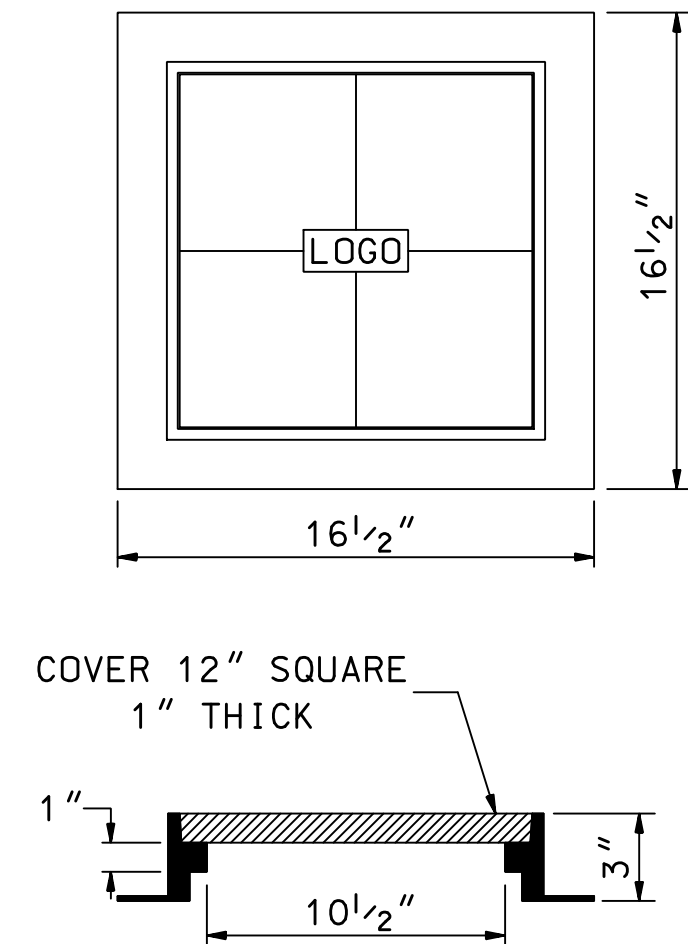


REVISION DATE
07-13-2001
06-16-2010

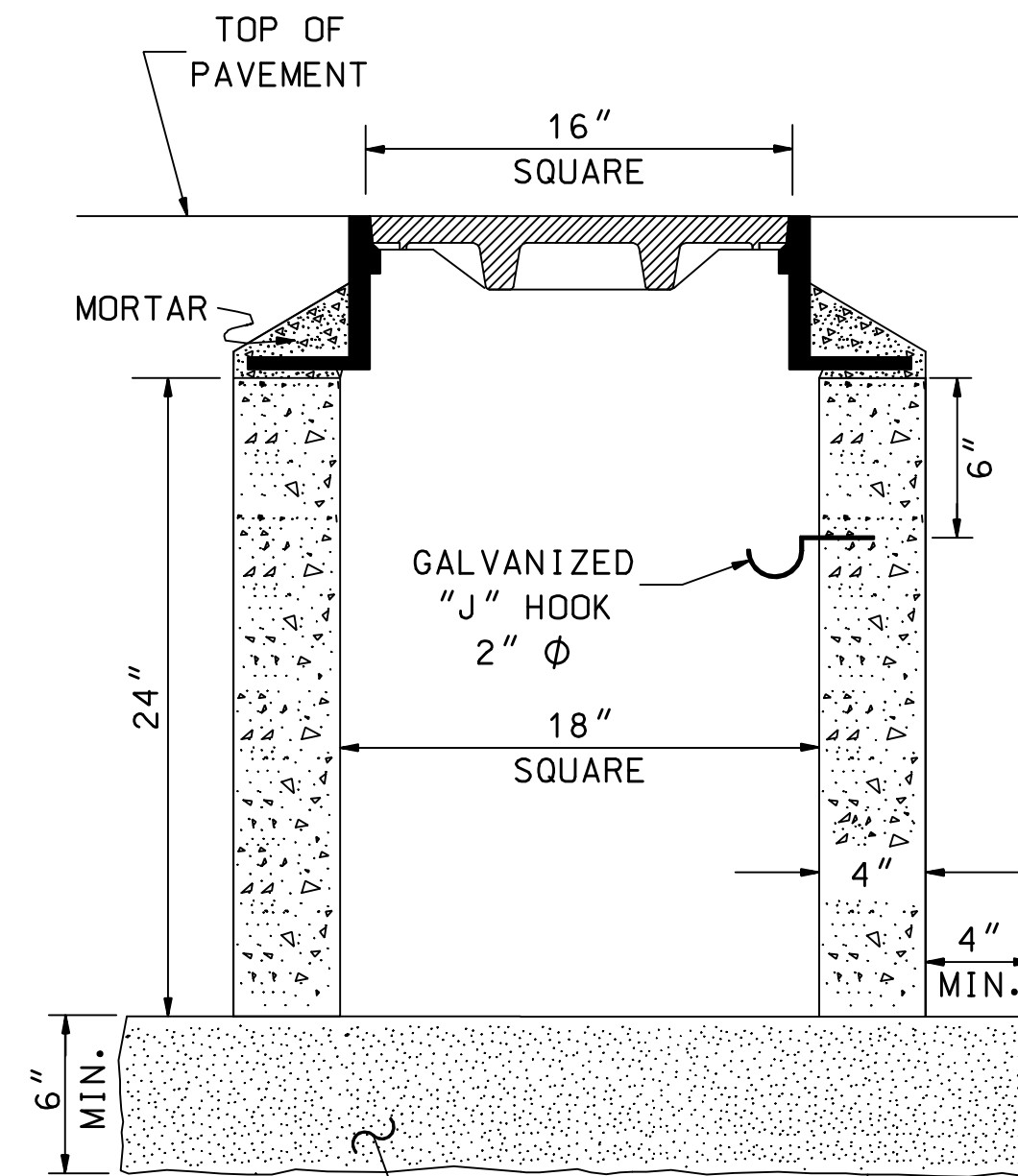
*DGN FILE NAME
SL-1



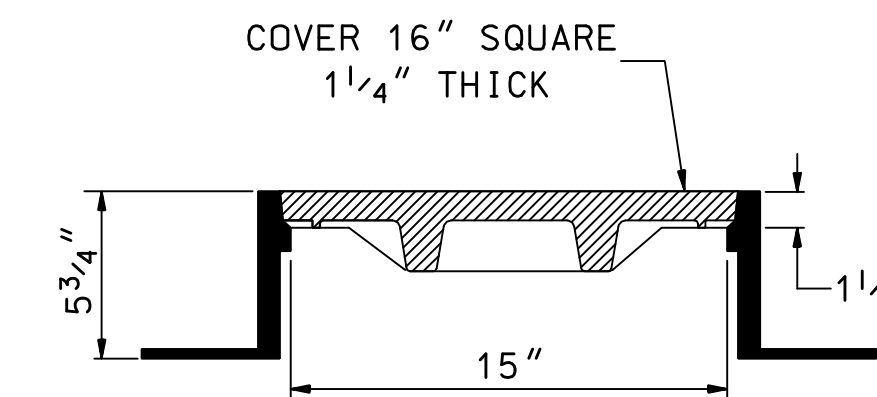
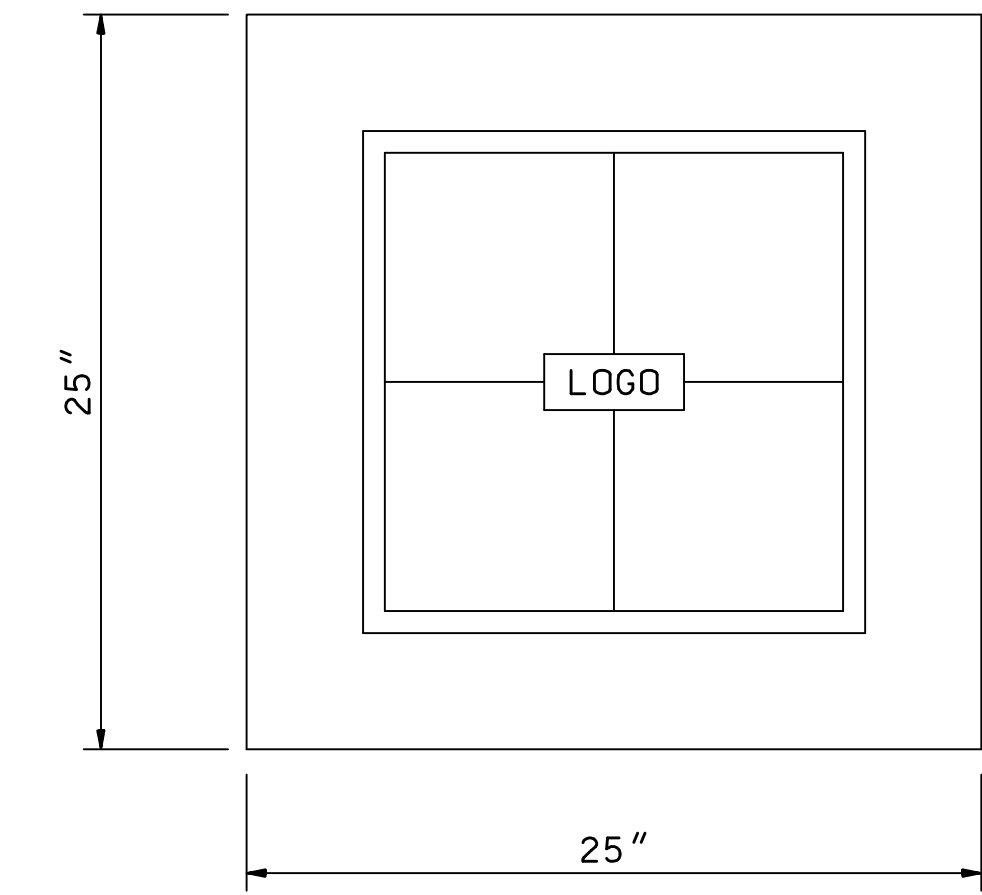
FOR USE IN PAVED AREAS
(SIDEWALKS AND PAVED ISLANDS ONLY)



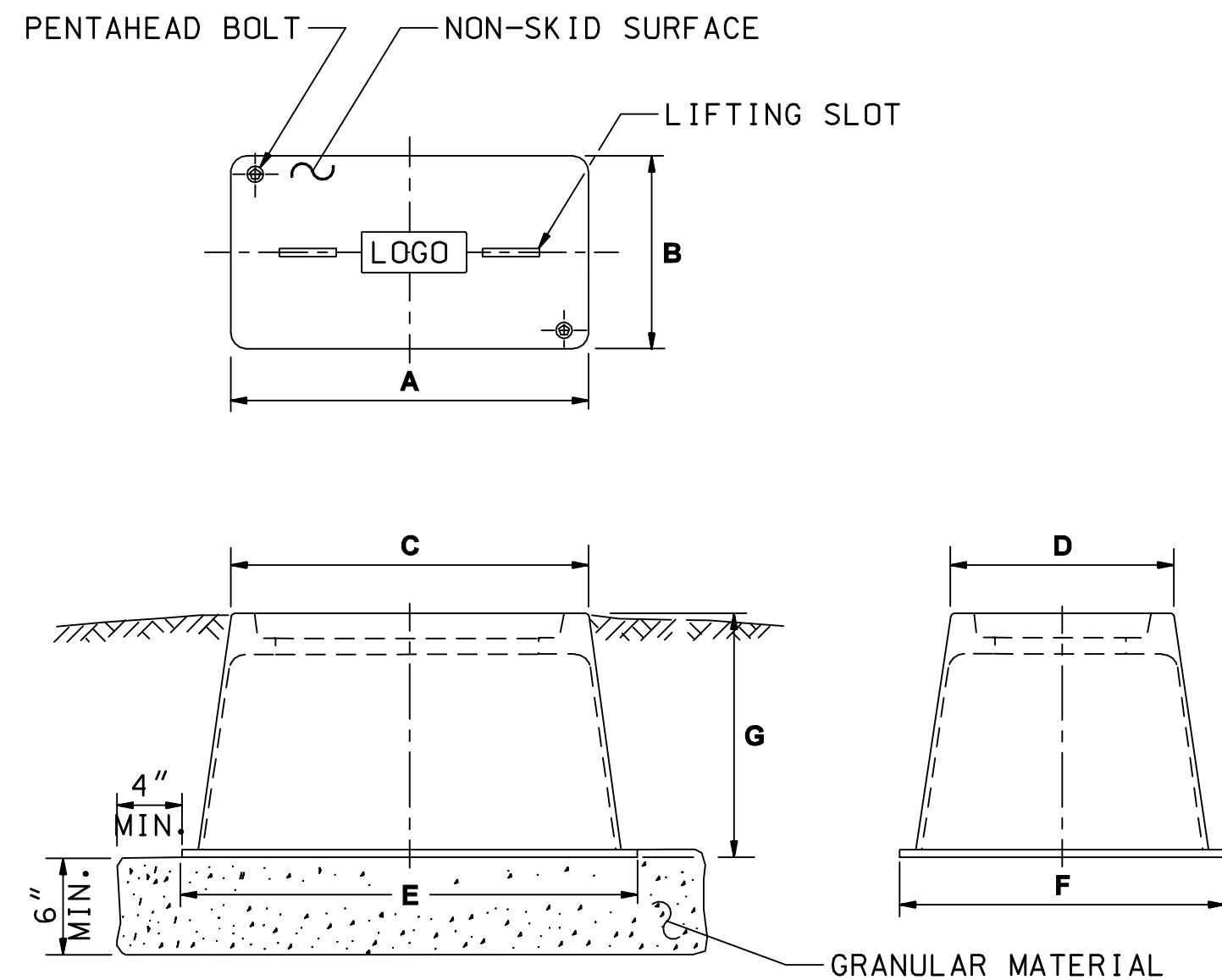
CONCRETE PULL BOX 14" x 14"
ITEM 614.511



FOR USE IN PAVED AREAS
(SIDEWALKS AND PAVED ISLANDS ONLY)

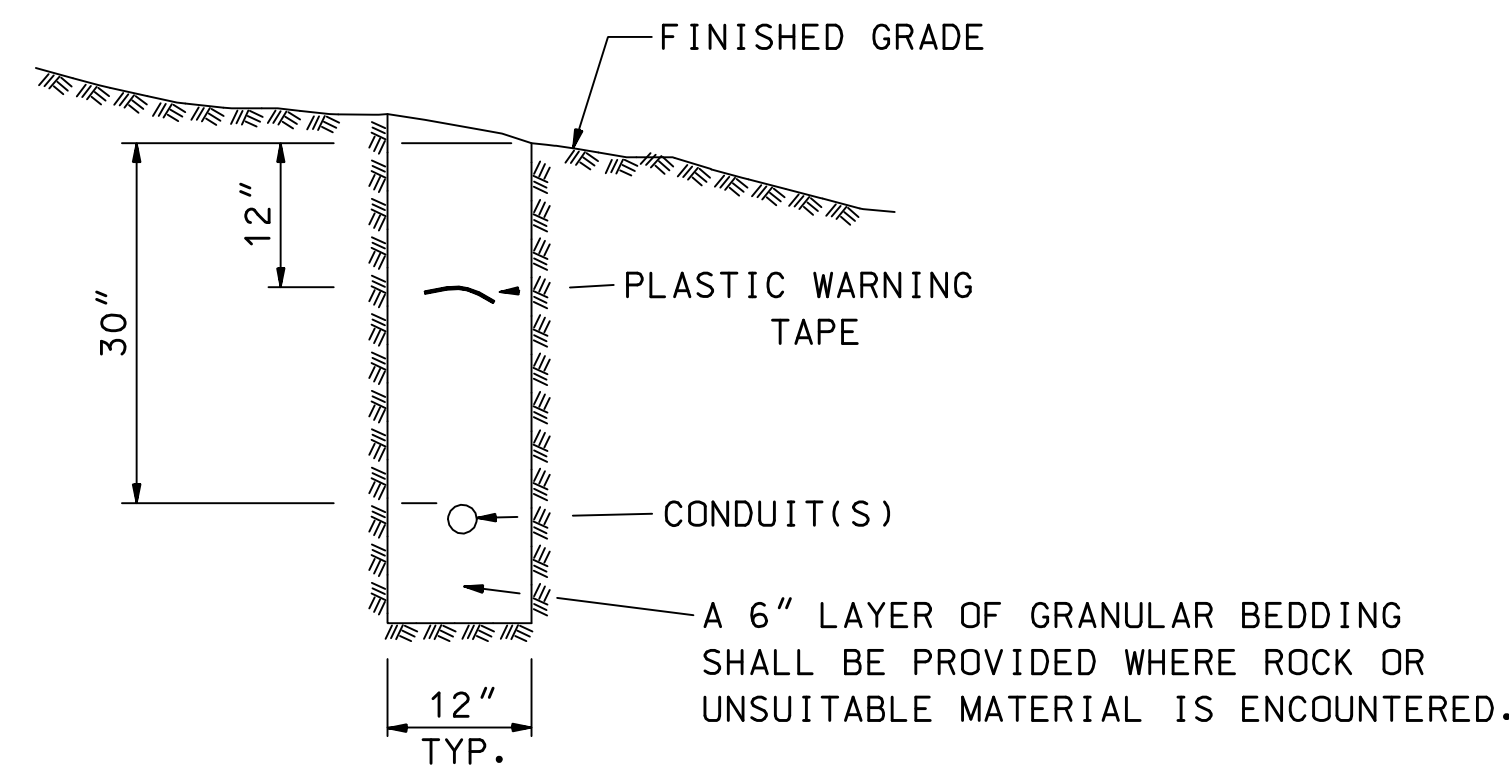


CONCRETE PULL BOX 18" x 18"
ITEM 614.512



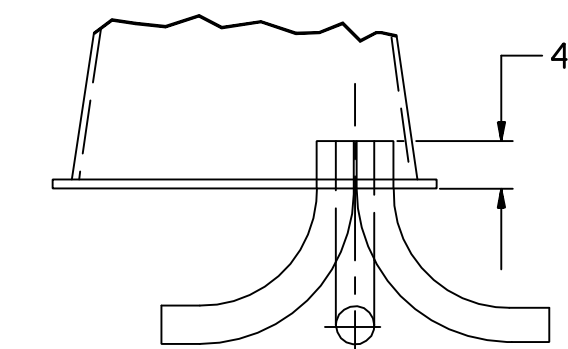
	A	B	C	D	E	F	G
ITEM NO 614.522	24"	13"	26"	15"	31"	22"	16" - 18"
ITEM NO 614.523	30"	17"	32"	19"	39"	26"	26"

MOLDED PULL BOXES
(FOR USE IN OTHER THAN PAVED AREAS)



NOTE: BACKFILL ABOVE CONDUIT SHALL BE IN ACCORDANCE WITH 614.

TRENCH DETAIL FOR CONDUIT INSTALLATION



90° ELBOWS - NUMBER, SIZE & TYPE AS REQUIRED IN PLANS OR SPECIAL PROVISIONS. USE STEEL ELBOWS WITH GROUNDING BUSHINGS WHEN CONDUIT RUN EXCEEDS 200'.

CONDUIT ARRANGEMENT
ALL TYPES

GENERAL NOTES

- DIMENSIONS SHOWN ARE NOMINAL. MOLDED PULL BOXES MAY VARY BY 1/2".
- ADJUST FRAMES & COVERS SO THAT DRAINAGE WILL BE AWAY FROM PULL BOX.
- LOGO = SIGNAL, ITS, DRAIN OR POWER AS REQUIRED, ON CENTER OF COVER.

SIGNAL & LIGHTING STANDARD

PULL BOXES & CONDUIT TRENCH DETAIL