

NEW HAMPSHIRE DEPARTMENT OF TRANSPORTATION



BUREAU OF BRIDGE DESIGN

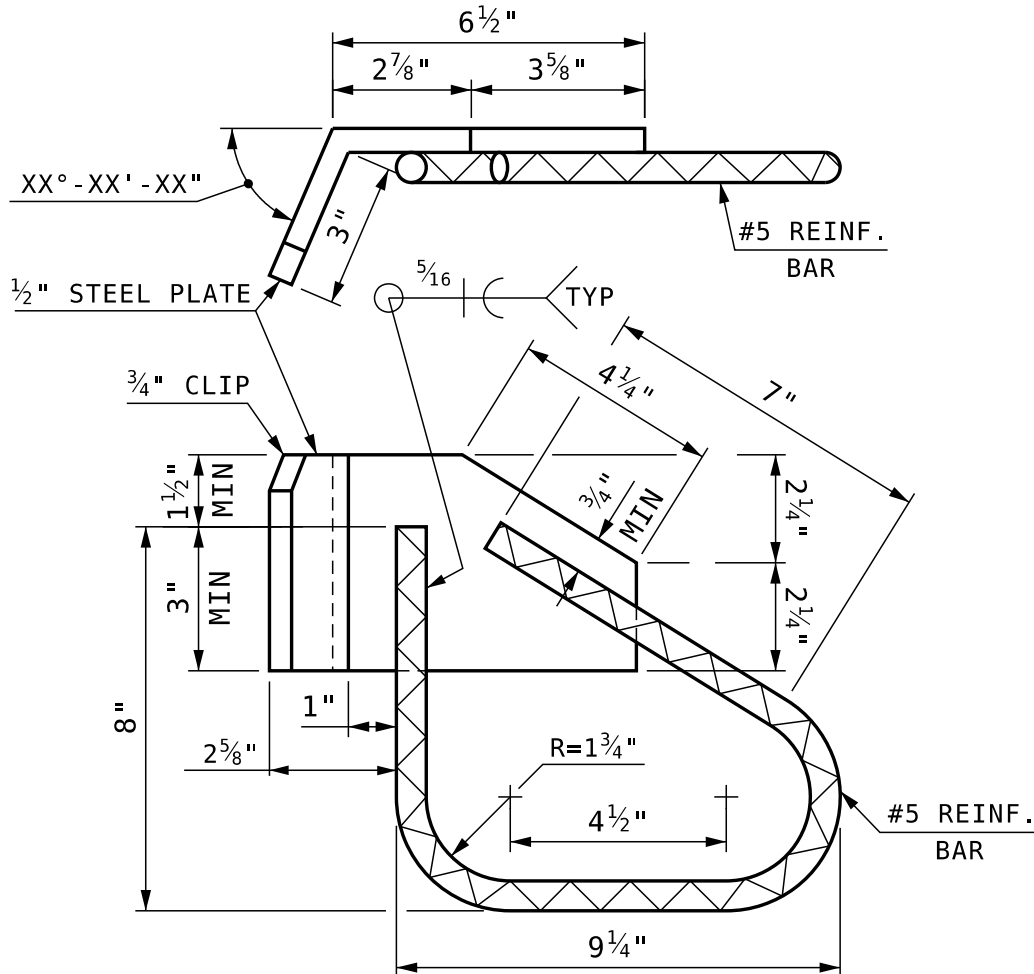


DESCRIPTION:

EXPANSION JOINTS -
ANCHOR DETAIL FOR SKEWED BRIDGES

DATE REVISED:

7/31/2023



ANCHOR DETAILS (SKEWED)

1. IF EXPANSION JOINT IS LOCATED BEHIND THE BACKWALL AND BRIDGE IS SKEWED, THE ANCHOR DETAIL FOR BOTH THE DECK AND APPROACH SLAB OR STUBWALL SHALL BE FABRICATED TO MATCH THE BRIDGE SKEW AND IN-LINE WITH THE LONGITUDINAL REINFORCING.
2. IF EXPANSION JOINT IS LOCATED IN FRONT OF THE BACKWALL AND BRIDGE IS SKEWED, THE ANCHOR DETAIL FOR THE DECK SHALL BE FABRICATED TO MATCH THE BRIDGE SKEW AND IN-LINE WITH LONGITUDINAL REINFORCING. THE ANCHOR DETAIL FOR THE BACKWALL SHALL BE 90°.