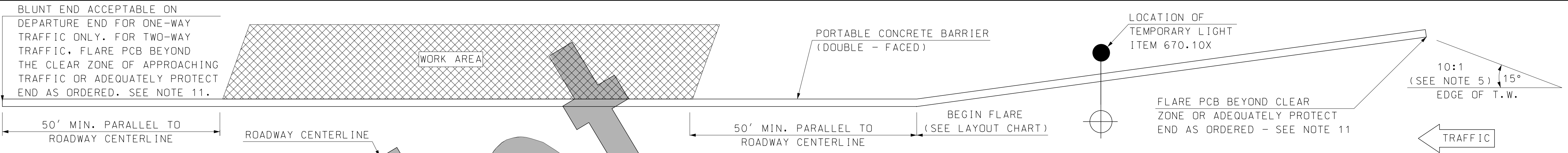
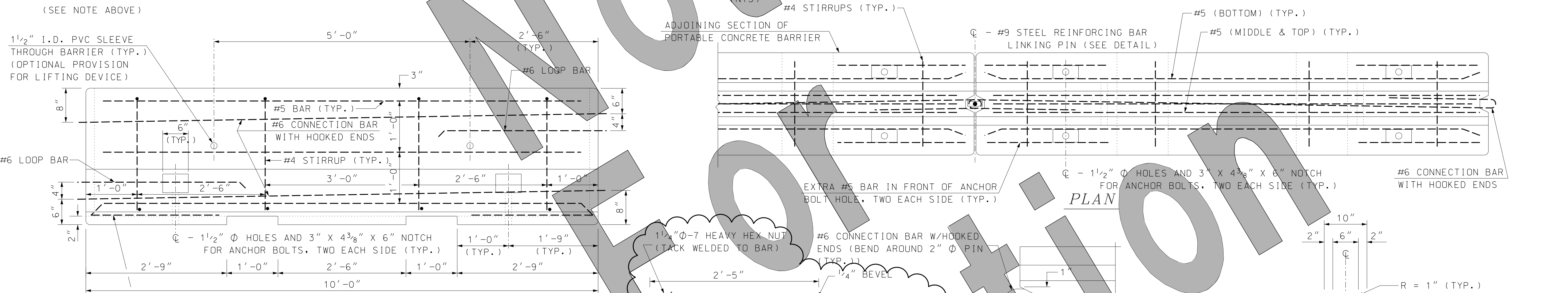


REVISION DATE
06-16-2010
10-03-2013
1/17/2020
3/16/2020



LAYOUT OF PORTABLE CONCRETE BARRIER



ELEVATION

PLAN

GENERAL NOTES

1. THE PORTABLE CONCRETE BARRIER DETAILS, AS SHOWN ON THIS SHEET, ARE IN COMPLIANCE WITH THE REQUIREMENTS OF NCHRP REPORT 350.
2. CONCRETE BARRIER SHALL BE FURNISHED BY THE CONTRACTOR AND PAID AS ITEM 606.417 - PORTABLE CONCRETE BARRIER FOR TRAFFIC CONTROL. CONNECTIONS TO EXISTING BARRIERS, WHEN REQUIRED, SHALL BE SUBSIDIARY TO ITEM 606.417.
3. THE CONTRACTOR SHALL FURNISH AND INSTALL APPROVED RETROREFLECTIVE DELINEATORS AT AN INTERVAL SPACING OF ONE (1) PER EVERY OTHER BARRIER (MAXIMUM 25 FT INTERVAL) ALONG THE TOP AND/OR ONE FOOT DOWN THE SIDE OF THE PORTABLE CONCRETE BARRIER, SUBSIDIARY TO ITEM 606.417. MECHANICALLY CONNECT DELINEATOR TO PORTABLE CONCRETE BARRIER. THE COLOR OF DELINEATORS SHALL, IN ALL CASES, CONFORM TO THE COLOR OF EDGE LINE MARKINGS. DELINEATORS SUPPLEMENT, BUT DO NOT REPLACE, THE NEED FOR RETROREFLECTIVE SOLID EDGE LINE MARKINGS.
4. UNPROTECTED OPENINGS IN PORTABLE CONCRETE BARRIER WILL NOT BE PERMITTED, UNLESS SPECIFICALLY AUTHORIZED BY THE ENGINEER.
5. A 10:1 OR FLATTER FORESLOPE (SUBSIDIARY TO ITEM 606.417) SHALL BE PROVIDED IN ADVANCE OF ALL PORTABLE CONCRETE BARRIER SYSTEMS WITHIN THE CLEAR ZONE. REFER TO THE ROADSIDE DESIGN GUIDE AASHTO, 2006, FOR CLEAR ZONE WIDTHS AND ADDITIONAL INFORMATION.
6. WHEN PORTABLE CONCRETE BARRIER IS INSTALLED ON BOTH SIDES OF TRAFFIC, THE BEGINNINGS OF THE BARRIER SHALL BE STAGGERED BY AT LEAST 50 FEET.
7. OTHER BARRIER CONFIGURATIONS AND END CONNECTIONS ARE SUBJECT TO APPROVAL BY THE ENGINEER. BARRIERS OF DIFFERENT GEOMETRIC SHAPES SHALL NOT BE MIXED ON THE SAME RUN.
8. PLACE RETROREFLECTORIZED DRUMS OR BARRICADES IN ACCORDANCE WITH THE MUTCD IN ADVANCE OF PORTABLE CONCRETE BARRIER TO WARN AND ALERT DRIVERS.
9. DETAILS FOR ANCHOR BOLTS ARE SHOWN ONLY FOR USE AS REQUIRED OR DIRECTED.
10. TEMPORARY LIGHTING SHALL BE PAID UNDER ITEM 670.10X.
11. ADEQUATE PROTECTION SHALL BE MEASURES AS DESCRIBED IN THE MOST CURRENT EDITION OF THE ROADSIDE DESIGN GUIDE AS ADOPTED BY THE DEPARTMENT. PLACING GRANULAR MATERIAL AT THE END(S) OF THE BARRIER SHALL NOT BE CONSIDERED ADEQUATE PROTECTION.

MATERIAL NOTES

1. BARRIERS SHALL BE LIGHT COLORED CLASS "AA" CONCRETE HAVING A MINIMUM 28 DAY COMPRESSION STRENGTH OF 4,000 PSI. BARRIERS SHALL HAVE A SMOOTH UNIFORM SURFACE FREE OF DEFECTS AND IRREGULARITIES. CASTING DATE SHALL BE SHOWN ON BARRIER. ALL EXPOSED EDGES OF CONCRETE SHALL BE CHAMFERED 3/4" UNLESS OTHERWISE NOTED.
2. ALL REINFORCING STEEL SHALL BE AASHTO M31 (ASTM-A615) GRADE 60. REINFORCEMENT SHOWN IS THE MINIMUM REQUIRED.
3. EACH BARRIER UNIT SHALL INCLUDE ONE LINKING PIN.
4. LIFTING OPTIONS SHOWN ARE ADVISORY ONLY. IT SHALL BE THE CONTRACTORS' RESPONSIBILITY TO PROVIDE ADEQUATE LIFTING POINTS ON EACH BARRIER.
5. CONNECTING DEVICES SHALL BE COMPATIBLE WITH OTHER UNITS AND SHALL ALLOW PLACEMENT ON A 110' RADIUS.
6. DELINEATORS SHALL BE ATTACHED TO THE BARRIER USING BOLTS AND ANCHORS OR OTHER APPROVED MECHANICAL CONNECTION, AS SHOWN ON STANDARD NO. DL-1.

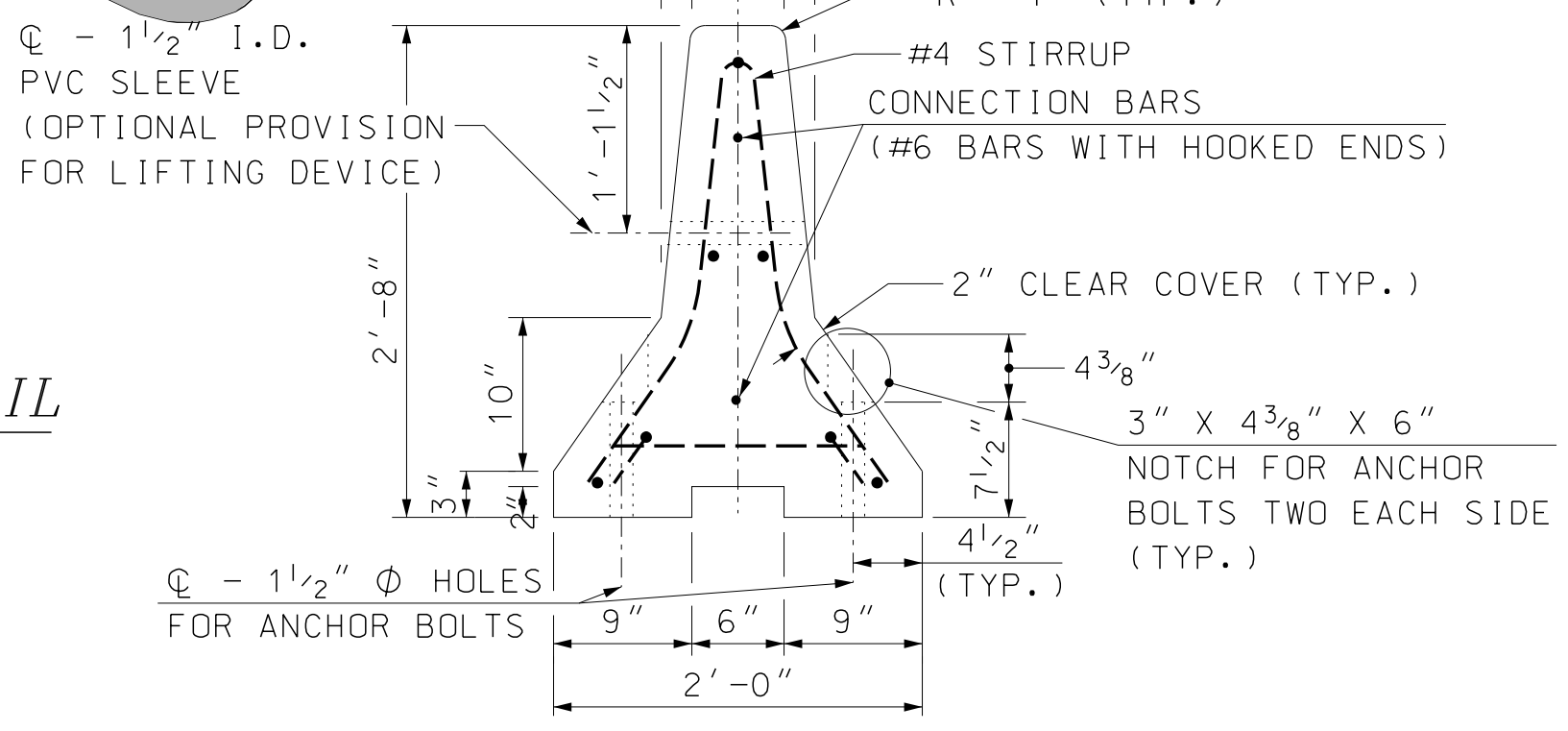
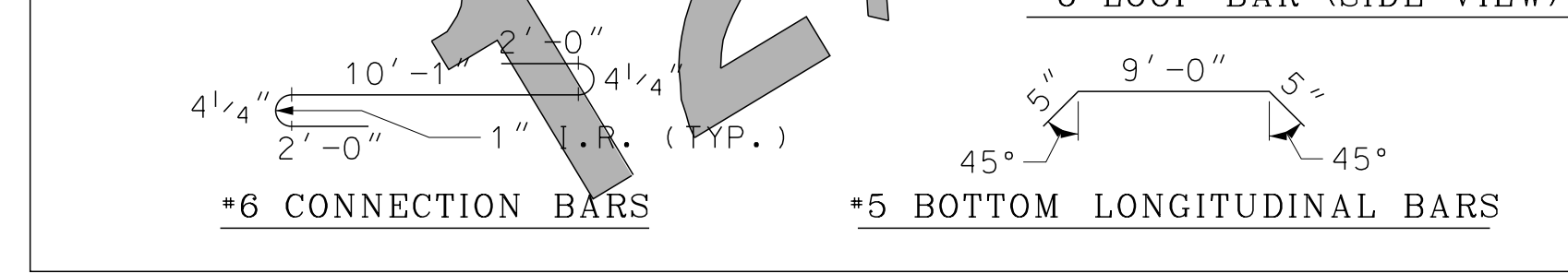


LINKING PIN

END NOTCH DETAIL

PORTABLE CONCRETE BARRIER REINFORCING SCHEDULE

DESCRIPTION	SIZE	NO.	UNBENT LENGTH	TYPE
CONNECTION BARS	#6	2	14'-9 1/2"	
BOTTOM LONGITUDINAL	#5	2	9'-10"	
CENTER & TOP LONGITUDINAL	#5	3	9'-4"	
BOTTOM TRANSVERSE	#5	4	3'-4"	
STIRRUPS	#4	4	5'-0"	
EXTRA ANCHOR HOLE BARS	#5	4	2'-5"	
LOOP BAR	#6	2	6'-10 1/4"	



TYPICAL SECTION

PORTABLE CONCRETE BARRIER LAYOUT

OPERATING SPEED	DESIRABLE LATERAL OFFSET FROM T.W. **	MAXIMUM FLARE RATE * (FREE-STANDING)	MINIMUM LENGTH OF PCB SYSTEM
≤30 MPH	2'	7:1	
40 MPH	5'	9:1	
50 MPH	6.5'	11:1	
60 MPH	8'	13:1	
70 MPH	10'	15:1	
ALL SPEEDS	15' MAX. ***		100'

- \* MEASURE FLARE FROM A LINE PARALLEL TO THE ROADWAY T.W., WHETHER ON A CURVE OR A TANGENT.
- \*\* FOR RESTRICTED SITE CONDITIONS, LESSER OFFSETS MAY BE PERMITTED BY THE ENGINEER.
- \*\*\* TO REDUCE POTENTIAL FOR HIGH-ANGLE IMPACTS (> 15°)

GUARDRAIL STANDARD  
PORTABLE CONCRETE BARRIER