

NEW HAMPSHIRE DEPARTMENT OF TRANSPORTATION

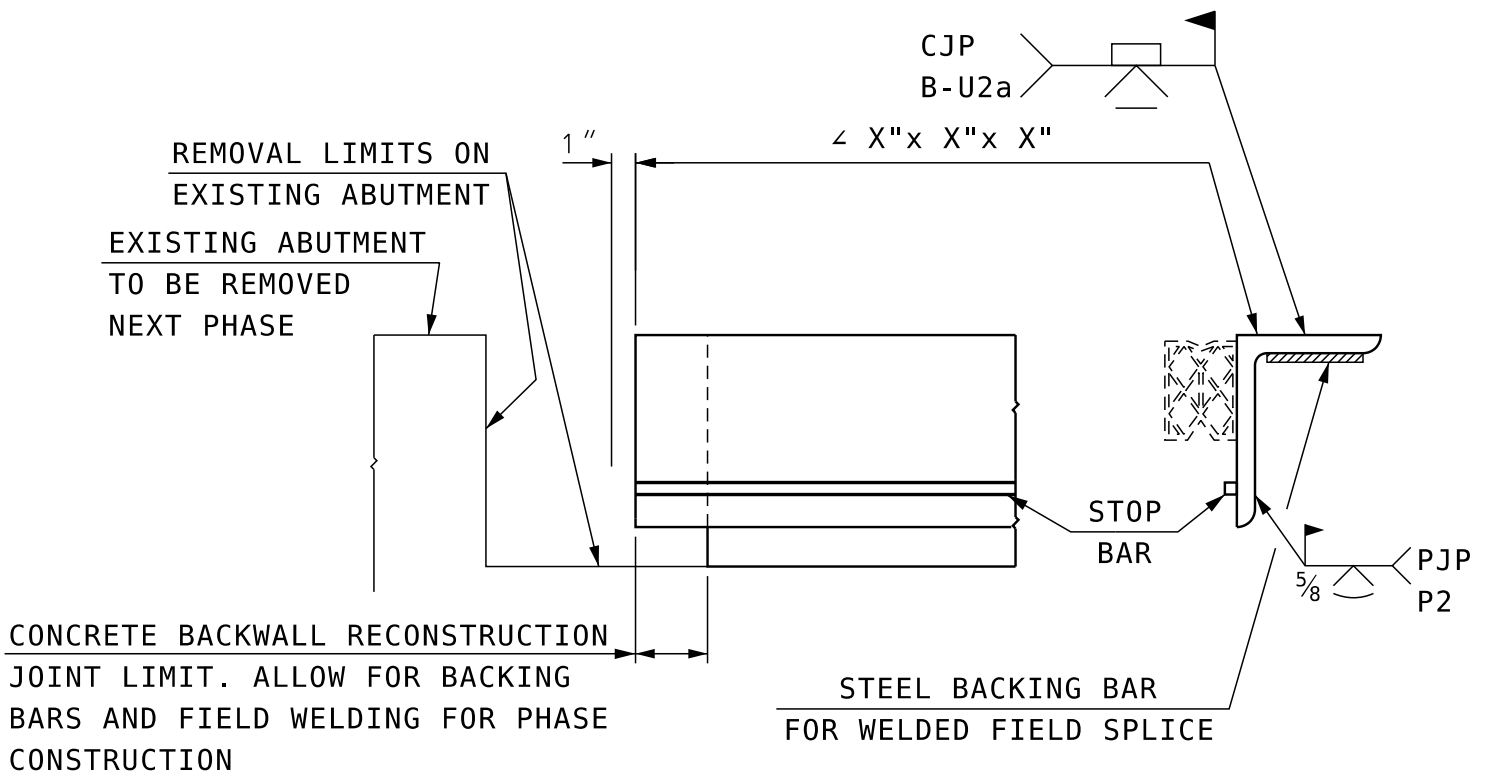


BUREAU OF BRIDGE DESIGN



DESCRIPTION: EXPANSION JOINTS -
WELD DETAIL FOR FIELD SPLICE (PHASE CONSTRUCTION)
COMPRESSION SEAL

DATE REVISED:
7/31/2023



PHASE CONSTRUCTION
FIELD WELD SPLICE DETAILS

NOT TO SCALE

MODIFY TO FIT PROJECT

NEW HAMPSHIRE DEPARTMENT OF TRANSPORTATION

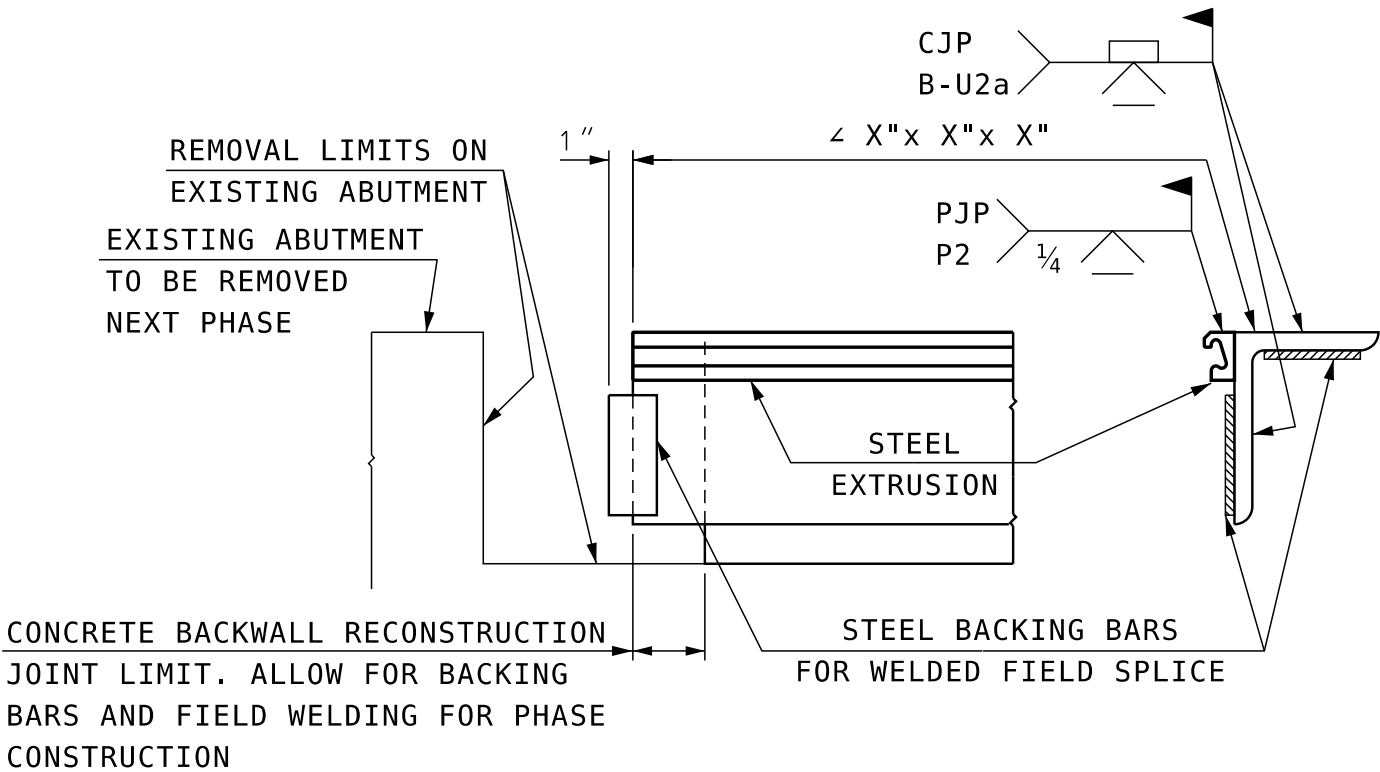


BUREAU OF BRIDGE DESIGN



DESCRIPTION: EXPANSION JOINTS -
 WELD DETAIL FOR FIELD SPLICE (PHASE CONSTRUCTION)
 STRIP SEAL

DATE REVISED:
 7/31/2023



PHASE CONSTRUCTION
FIELD WELD SPLICE DETAILS

NOT TO SCALE

MODIFY TO
 FIT PROJECT

NEW HAMPSHIRE DEPARTMENT OF TRANSPORTATION

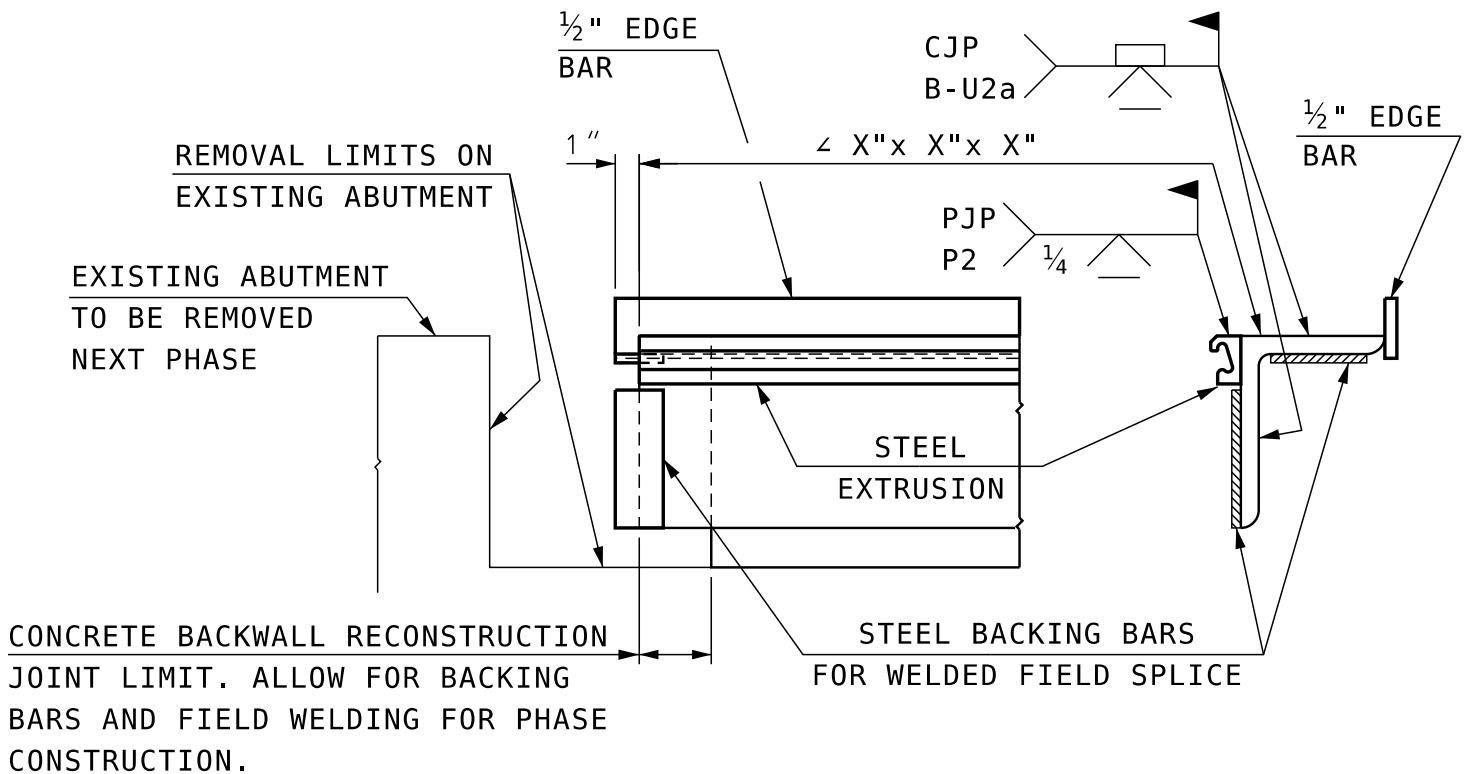


BUREAU OF BRIDGE DESIGN



DESCRIPTION: EXPANSION JOINTS -
WELD DETAIL FOR FIELD SPLICE (PHASE CONSTRUCTION)
PLOW PLATE (FINGER JOINT SIMILAR)

DATE REVISED:
7/31/2023



PHASE CONSTRUCTION FIELD WELD SPLICE DETAILS

NOT TO SCALE

MODIFY TO
FIT PROJECT