

NEW HAMPSHIRE DEPARTMENT OF TRANSPORTATION

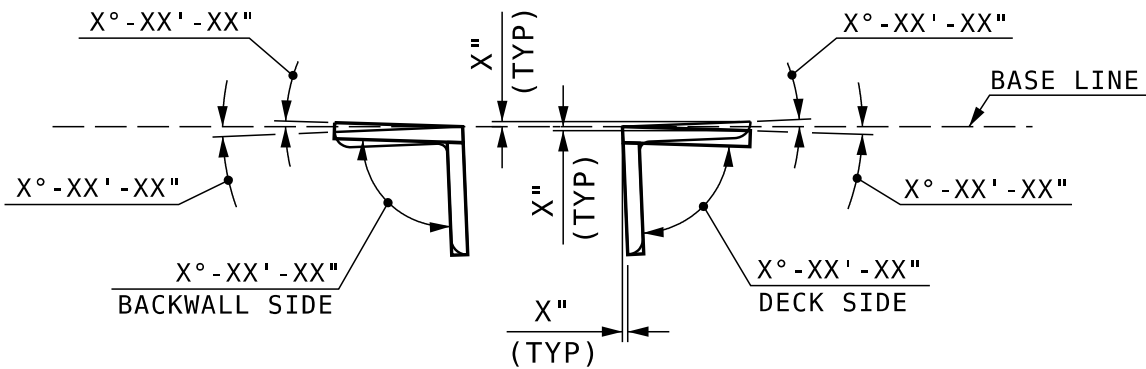


BUREAU OF BRIDGE DESIGN



DESCRIPTION: EXPANSION JOINTS -
PLATE/ANGLE CONNECTION - DETAIL

DATE REVISED:
7/31/2023



PLATE/ANGLE CONNECTION DETAIL

MODIFY TO
FIT PROJECT

NEW HAMPSHIRE DEPARTMENT OF TRANSPORTATION



BUREAU OF BRIDGE DESIGN

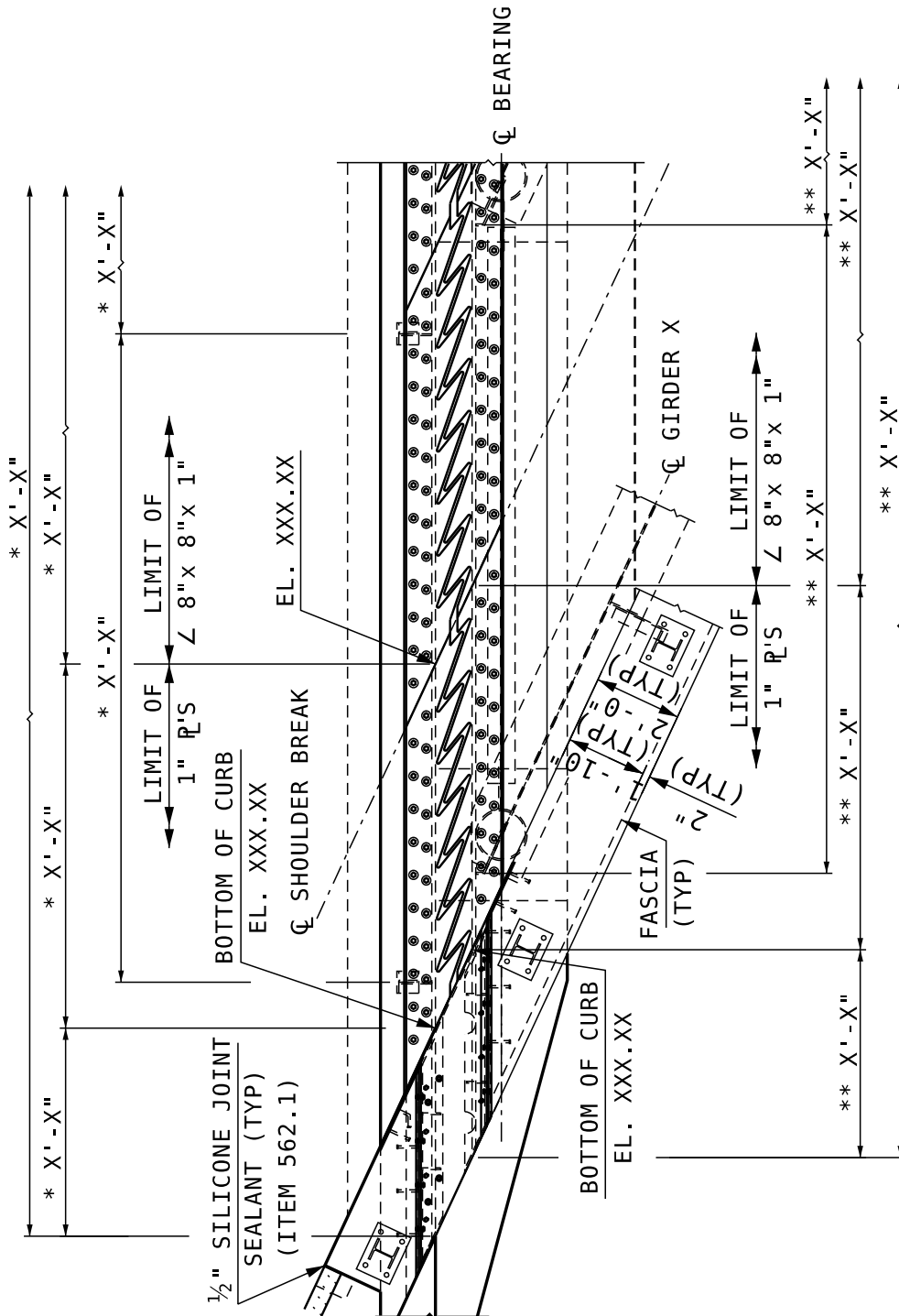


DESCRIPTION:

EXPANSION JOINTS -
FINGER EXPANSION JOINT - PARTIAL PLAN

DATE REVISED:

7/31/2023



* = HORIZONTAL DIMENSIONS MEASURED ALONG FACE OF BACKWALL
 ** = HORIZONTAL DIMENSIONS MEASURED ALONG END OF DECK

PARTIAL PLAN

MODIFY TO
FIT PROJECT