

NEW HAMPSHIRE DEPARTMENT OF TRANSPORTATION

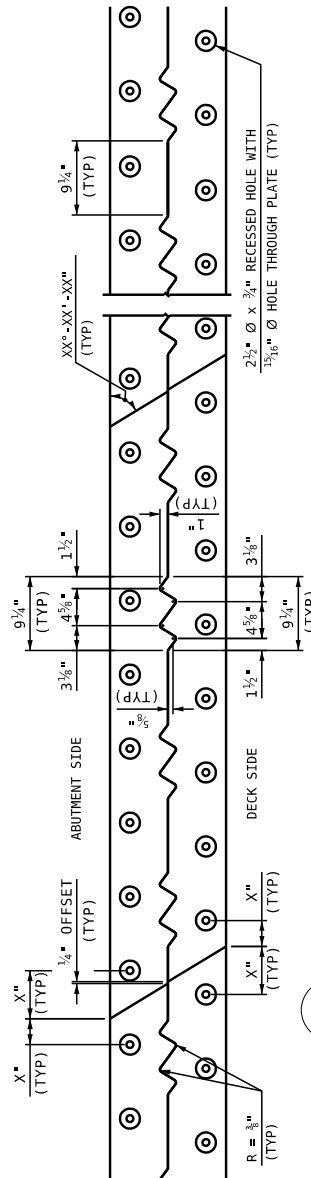


BUREAU OF BRIDGE DESIGN



DESCRIPTION:
 EXPANSION JOINTS - PLOW PROTECTION PLATE
 FINGER CUTTING DETAIL

DATE REVISED:
 11/14/18



ABUTMENT X FINGER CUTTING DETAIL

SCALE: 1" = 1'-0"

**MODIFY TO
 FIT PROJECT**

NEW HAMPSHIRE DEPARTMENT OF TRANSPORTATION

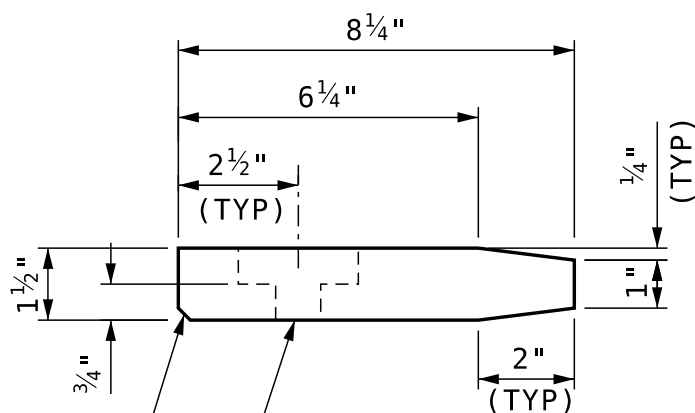


BUREAU OF BRIDGE DESIGN



DESCRIPTION:
EXPANSION JOINTS - PLOW PROTECTION PLATE
FINGER DETAIL "A"

DATE REVISED:
11/14/18



BEVEL FINGER PLATE
AS REQUIRED (TYP)
(SEE DETAIL B)

$2\frac{1}{2}$ " \varnothing x $\frac{3}{4}$ " RECESSED HOLE WITH
 $\frac{15}{16}$ " \varnothing HOLE THROUGH PLATE (TYP)

DETAIL "A"