

NEW HAMPSHIRE DEPARTMENT OF TRANSPORTATION

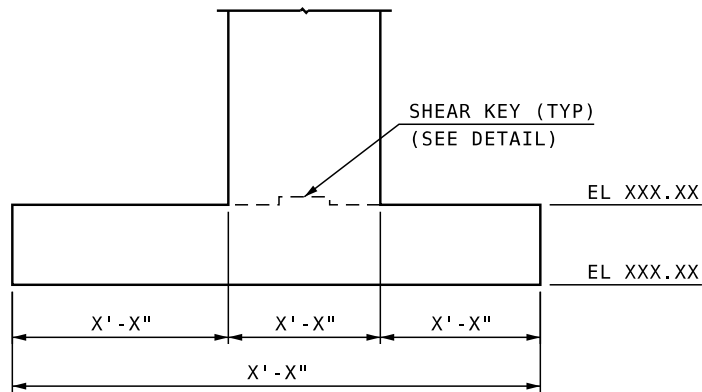


BUREAU OF BRIDGE DESIGN

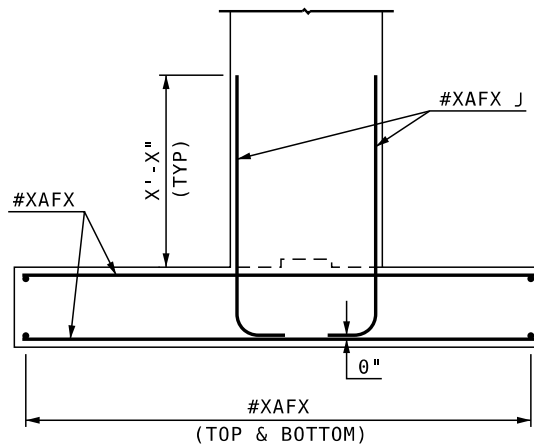


DESCRIPTION: SUBSTRUCTURE DETAILS -
TYP ABUTMENT SPREAD FOOTING (MASONRY & REIN)

DATE REVISED:
2/8/2016



TYP ABUTMENT SPREAD FOOTING
(MASONRY)



TYP ABUTMENT SPREAD FOOTING
(REINFORCEMENT)

MODIFY TO
FIT PROJECT

NEW HAMPSHIRE DEPARTMENT OF TRANSPORTATION

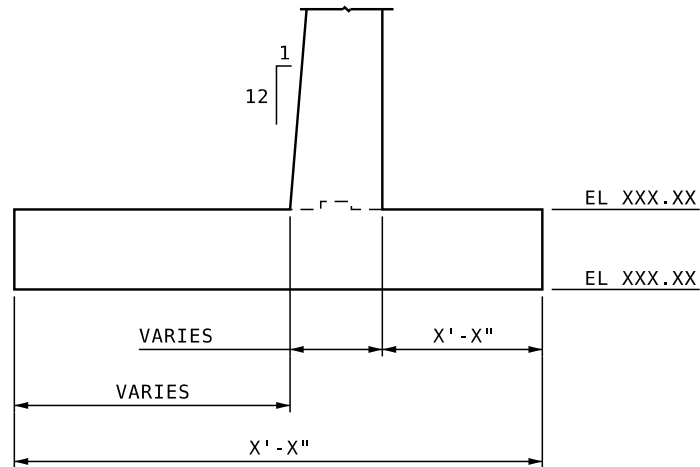


BUREAU OF BRIDGE DESIGN

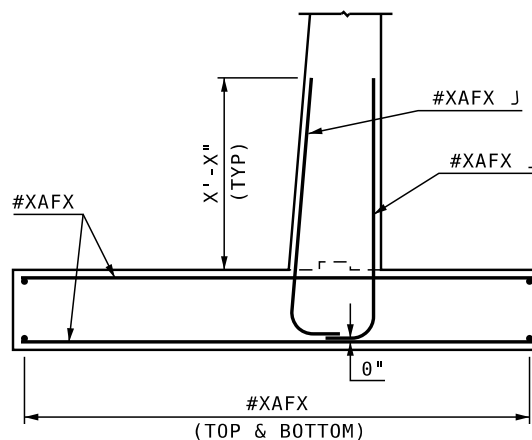


DESCRIPTION: SUBSTRUCTURE DETAILS -
TYP WINGWALL SPREAD FOOTING (MASONRY & REIN)

DATE REVISED:
2/8/2016



TYP WINGWALL SPREAD FOOTING
(MASONRY)



TYP WINGWALL SPREAD FOOTING
(REINFORCEMENT)

MODIFY TO
FIT PROJECT

NEW HAMPSHIRE DEPARTMENT OF TRANSPORTATION

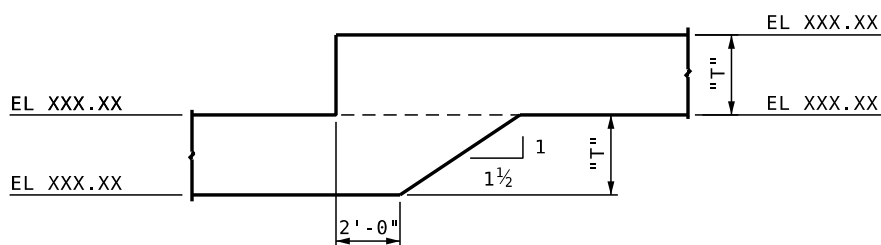


BUREAU OF BRIDGE DESIGN

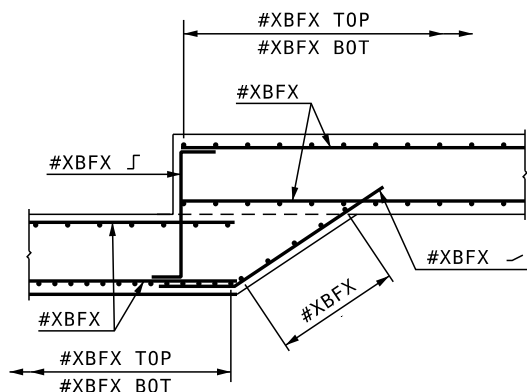


DESCRIPTION: SUBSTRUCTURE DETAILS -
TYPICAL STEPPED SPREAD FOOTING

DATE REVISED:
7/31/2023



STEPPED FOOTING MASONRY SECTION



STEPPED FOOTING REINFORCEMENT SECTION

MODIFY TO
FIT PROJECT

NEW HAMPSHIRE DEPARTMENT OF TRANSPORTATION

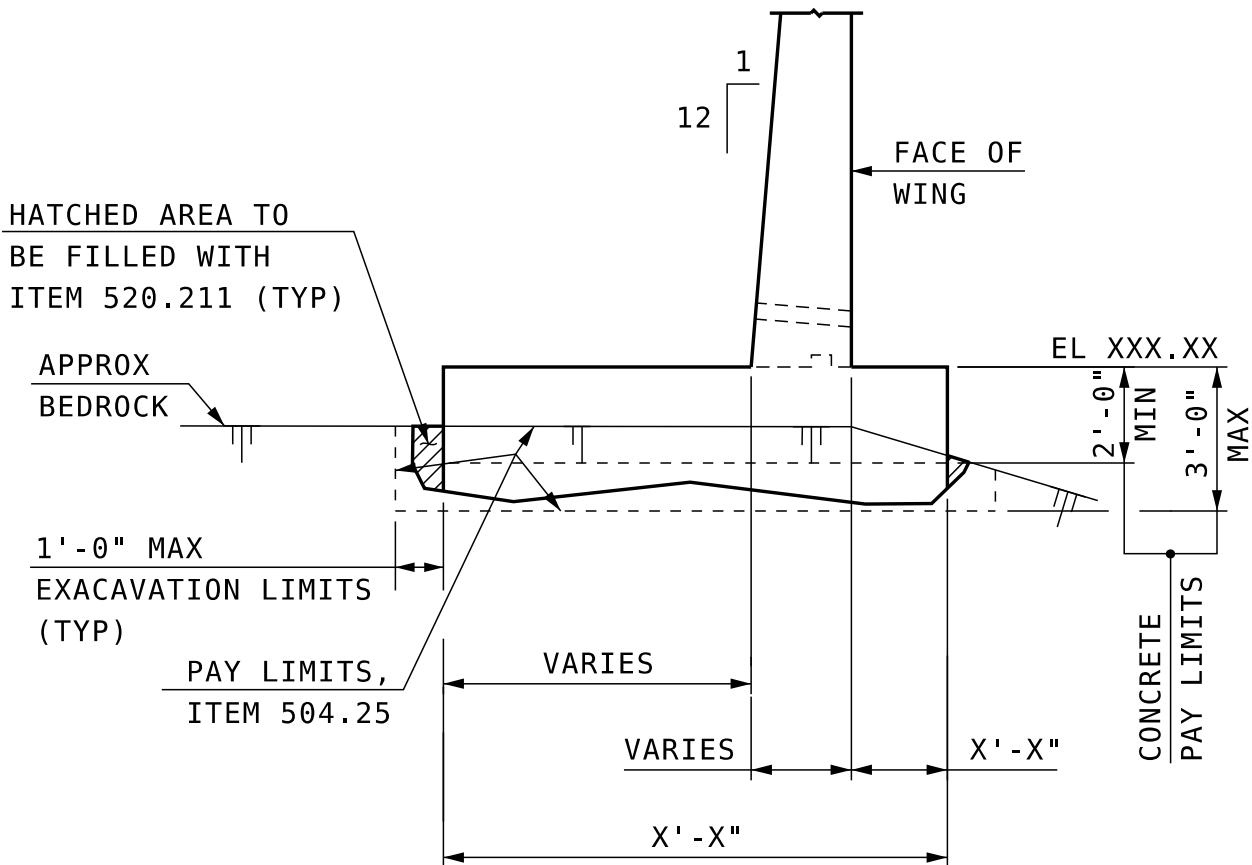


BUREAU OF BRIDGE DESIGN



DESCRIPTION: SUBSTRUCTURE DETAILS -
TYPICAL SPREAD FOOTING ON LEDGE

DATE REVISED:
2/8/2016



TYP SPREAD FOOTING ON BEDROCK (MASONRY)

MODIFY TO
FIT PROJECT

NEW HAMPSHIRE DEPARTMENT OF TRANSPORTATION

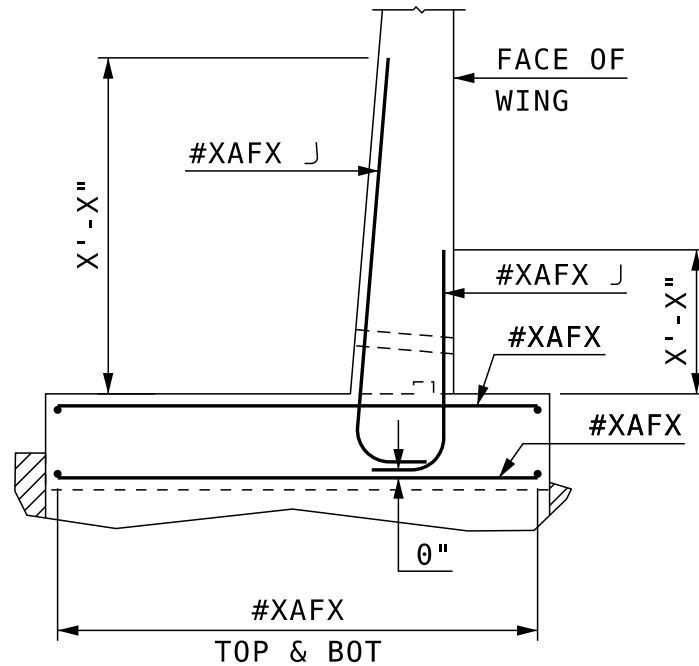


BUREAU OF BRIDGE DESIGN



DESCRIPTION: SUBSTRUCTURE DETAILS -
TYP SPREAD FOOTING ON LEDGE (REINFORCEMENT)

DATE REVISED:
2/8/2016



TYP SPREAD FOOTING
ON BEDROCK (REINFORCING)

MODIFY TO
FIT PROJECT