

NEW HAMPSHIRE DEPARTMENT OF TRANSPORTATION

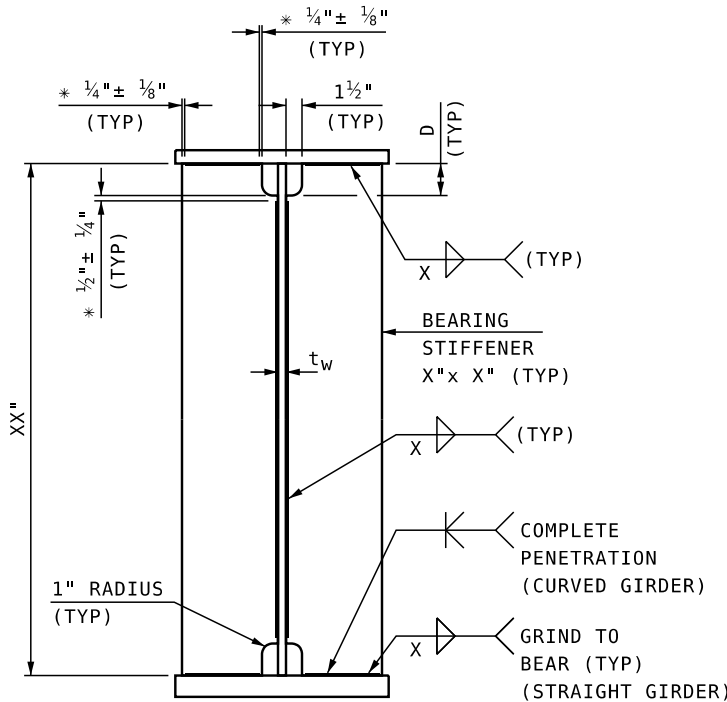


BUREAU OF BRIDGE DESIGN

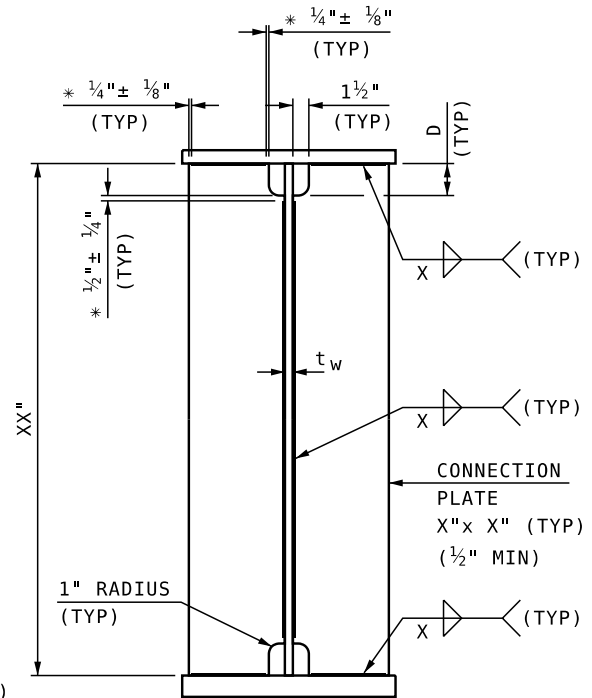


DESCRIPTION: **STEEL GIRDER DETAILS -
BEARING STIFFENER AND CONNECTION PLATE**

DATE REVISED:
7/31/2023



**BEARING STIFFENER
(ABUTMENT/PIER)**



CONNECTION PLATE

* WELD TERMINATION

| COPE DETAIL (IN) | |
|------------------|--------|
| t _w | D |
| 1/2" | 2 1/2" |
| 9/16" | 2 1/2" |
| 5/8" | 3" |
| 11/16" | 3 1/2" |
| 3/4" | 3 1/2" |
| 7/8" | 4" |

| MIN FILLET WELD SIZE (IN) | |
|---------------------------|-------------|
| THICKEST PLATE | FILLET WELD |
| ≤ 3/4" | 1/4" |
| > 3/4" | 5/16" |

NOTE TO DESIGNER:

THE "D" DISTANCE FOR THE COPE DETAIL IS 4-6 TIMES THE WEB THICKNESS. THE MIN. DISTANCE PREVENTS THE POSSIBILITY OF HIGH RESTRAINT STRESSES DEVELOPING FROM WELD SHRINKAGE AND ELIMINATES A WELD INTERSECTION. THE MAX. DISTANCE IS TO PREVENT WEB CRIPPLING WITHIN THE GAP REGION.

NOTE TO DESIGNER:

IF A TRANSVERSE PLATE IS USED AS A STIFFENER ONLY WITHOUT ATTACHMENTS, TIGHT FIT THE PLATE TO BOTH FLANGES OR CUT THE PLATE SHORT FROM THE TENSION FLANGE BY A DISTANCE EQUAL TO THE VERTICAL LEG OF THE COPE OR ATTACH WITH DOUBLE FILLET WELDS TOP AND BOTTOM.

**MODIFY TO
FIT PROJECT**

NEW HAMPSHIRE DEPARTMENT OF TRANSPORTATION

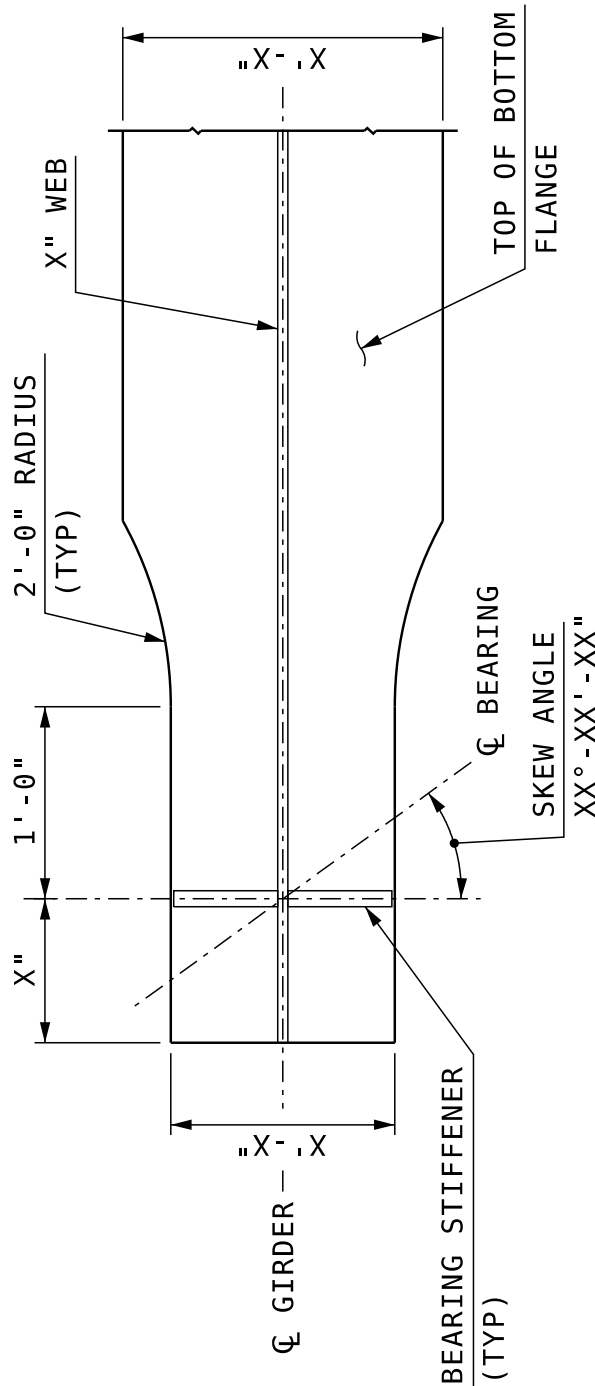


BUREAU OF BRIDGE DESIGN



DESCRIPTION: STEEL GIRDER DETAILS -
FLANGE WIDTH TRANSITION

DATE REVISED:
7/31/2023



FLANGE WIDTH TRANSITION

(ABUTMENT A SHOWN, ABUTMENT B SIMILAR)

MODIFY TO
FIT PROJECT

NEW HAMPSHIRE DEPARTMENT OF TRANSPORTATION



BUREAU OF BRIDGE DESIGN

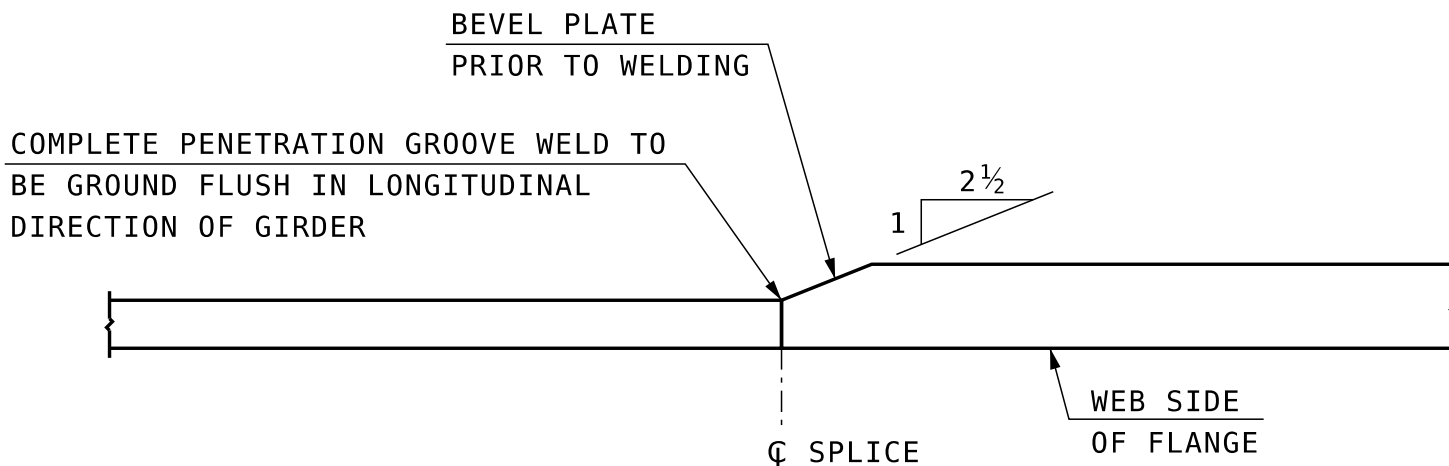


DESCRIPTION:

STEEL GIRDER DETAILS -
SHOP FLANGE SPLICE

DATE REVISED:

7/31/2023



SHOP FLANGE SPLICE

MODIFY TO
FIT PROJECT

NEW HAMPSHIRE DEPARTMENT OF TRANSPORTATION



BUREAU OF BRIDGE DESIGN

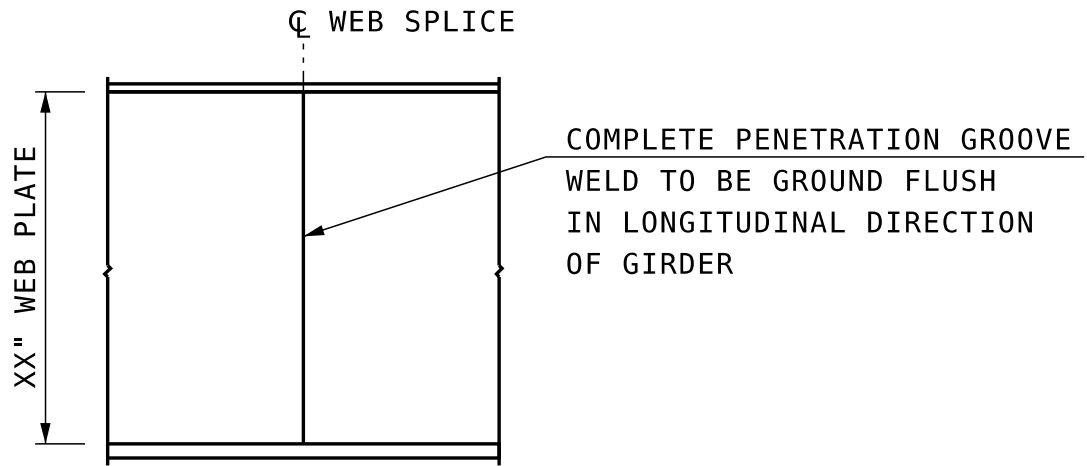


DESCRIPTION:

STEEL GIRDER DETAILS -
SHOP WELD WEB SPLICE

DATE REVISED:

7/31/2023



ELEVATION

SHOP WEB SPLICE DETAIL

NOT TO SCALE

MODIFY TO
FIT PROJECT

NEW HAMPSHIRE DEPARTMENT OF TRANSPORTATION



BUREAU OF BRIDGE DESIGN

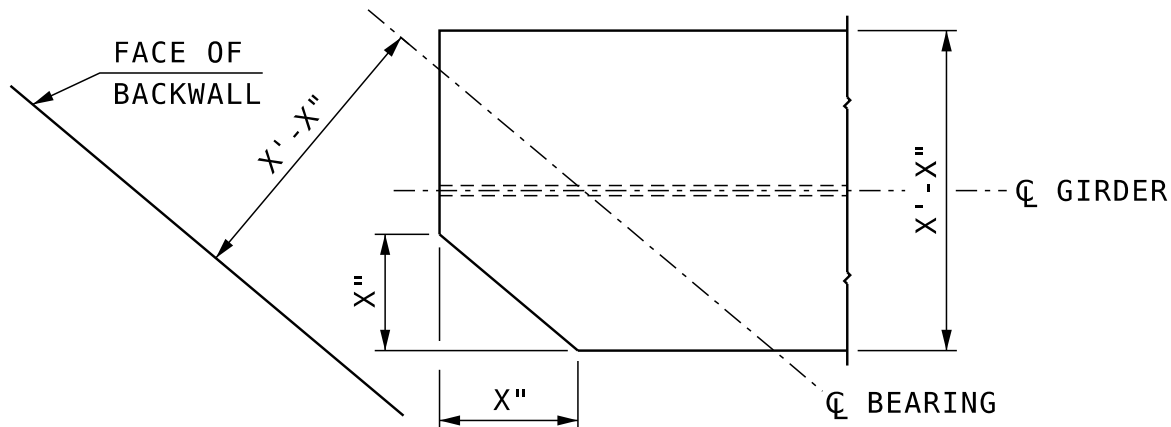


DESCRIPTION:

STEEL GIRDER DETAILS -
TOP FLANGE CLIP DETAIL

DATE REVISED:

7/31/2023



TOP FLANGE CLIP DETAIL

MODIFY TO
FIT PROJECT

NEW HAMPSHIRE DEPARTMENT OF TRANSPORTATION



BUREAU OF BRIDGE DESIGN

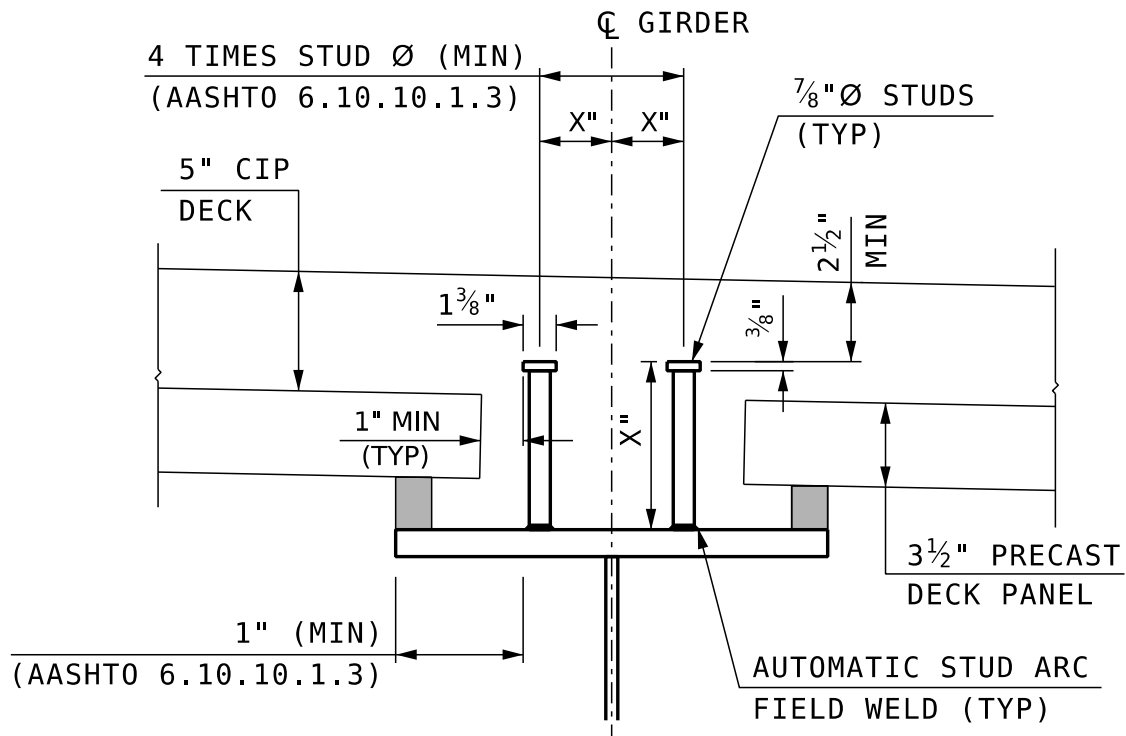


DESCRIPTION:

STEEL GIRDER DETAILS -
SHEAR CONNECTOR

DATE REVISED:

7/31/2023



SHEAR CONNECTOR DETAIL

MODIFY TO
FIT PROJECT

NEW HAMPSHIRE DEPARTMENT OF TRANSPORTATION

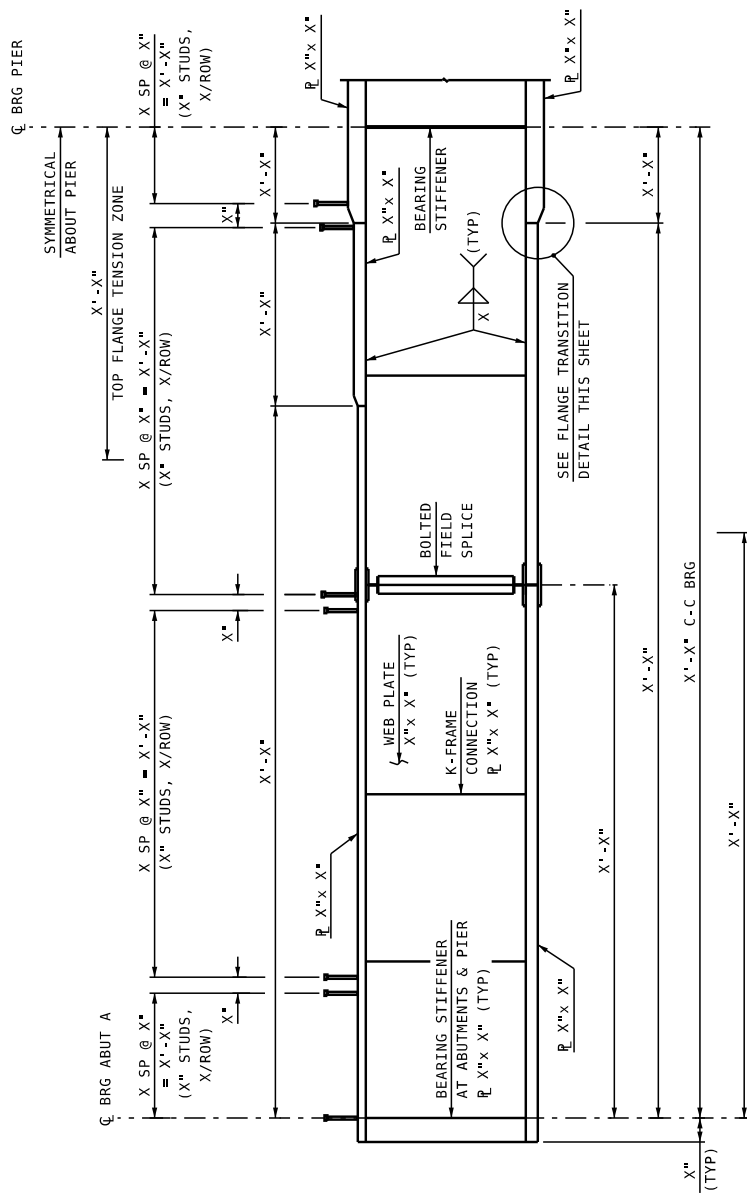


BUREAU OF BRIDGE DESIGN



DESCRIPTION: **STEEL GIRDER DETAILS -
GIRDER ELEVATION AND SHEAR CONNECTOR LAYOUT**

DATE REVISED:
7/31/2023



GIRDER ELEVATION & SHEAR CONNECTOR LAYOUT

NOT TO SCALE

**MODIFY TO
FIT PROJECT**

NEW HAMPSHIRE DEPARTMENT OF TRANSPORTATION

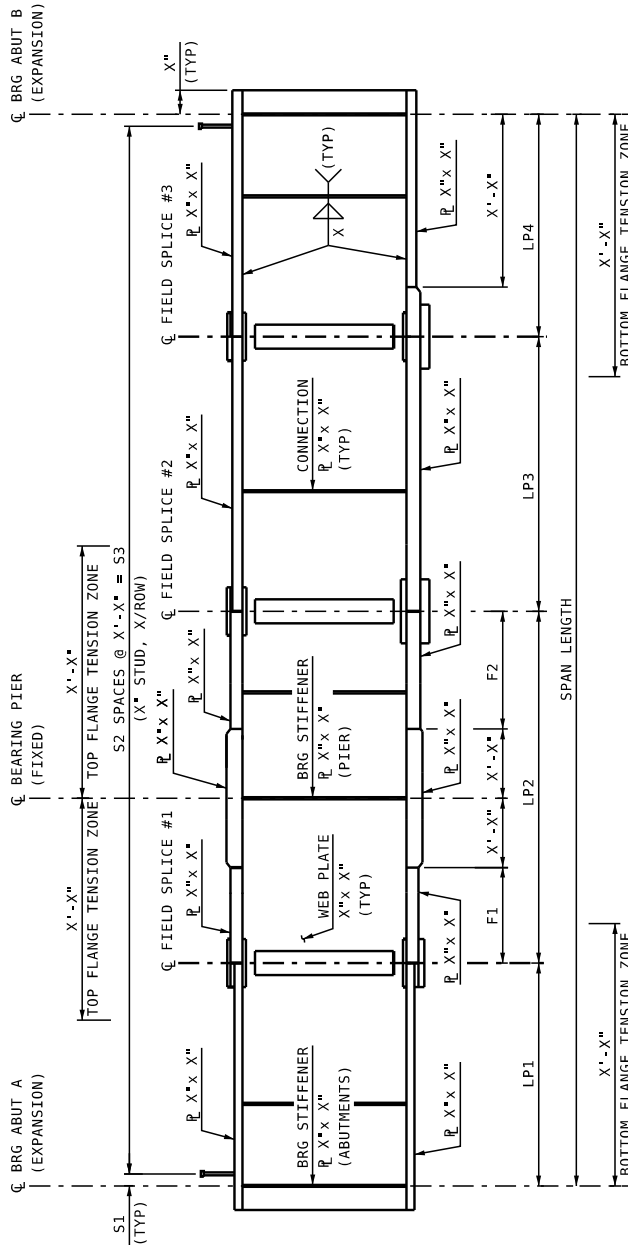


BUREAU OF BRIDGE DESIGN



DESCRIPTION: **STEEL GIRDER DETAILS -
GIRDER ELEV. & SHEAR CONNECTOR LAYOUT:
CURVED GIRDER**

DATE REVISED:
7/31/2023



GIRDER ELEVATION & SHEAR CONNECTOR LAYOUT (CURVED GIRDER)

NOT TO SCALE

MODIFY TO
FIT PROJECT

NEW HAMPSHIRE DEPARTMENT OF TRANSPORTATION



BUREAU OF BRIDGE DESIGN

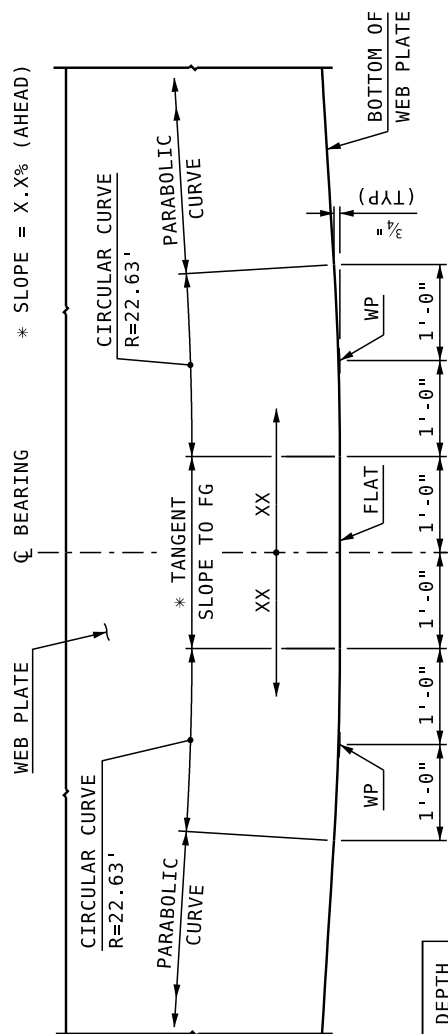


DESCRIPTION:

**STEEL GIRDER DETAILS -
TYPICAL HAUNCH DETAIL AT PIER**

DATE REVISED:

7/31/2023



WEB HAUNCH DETAIL (TYPICAL @ PIERS)

| XX | WEB DEPTH |
|-------|-----------|
| 1'-0" | X" |
| 1'-6" | X" |
| 2'-0" | X" |
| 2'-6" | X" |
| 3'-0" | X" |

MODIFY TO
FIT PROJECT